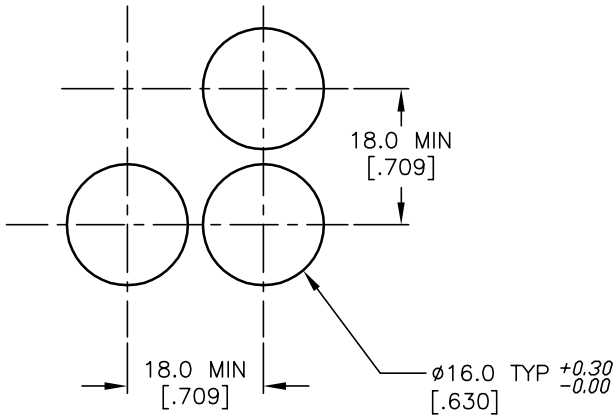
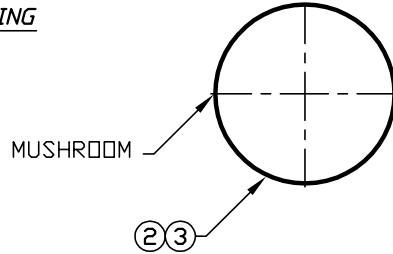


PARTS LIST

ITEM	QTY.	PART NO.	PART DESCRIPTION
1	1	F040015	P16 EE R11
2	1	F050420	50-004-20(RED LED)
3	1	F051202	50-012-02 (RED LENS OPAQUE)
4	1	F051601	P16 PLASTIC TERMINAL PROTECTOR

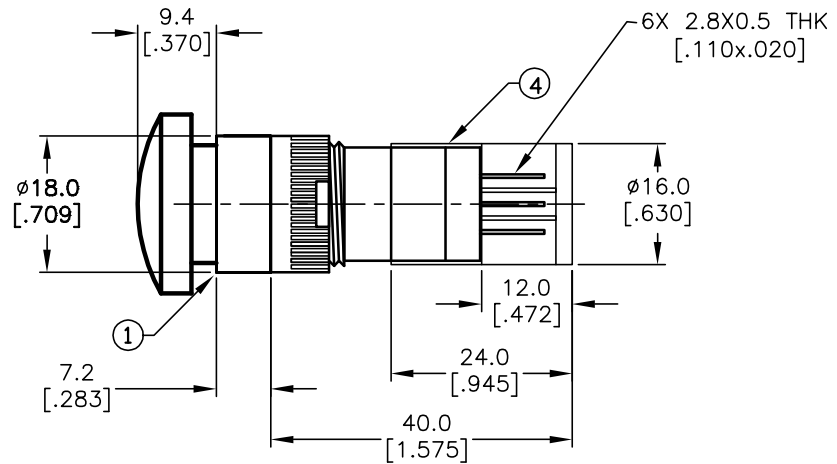


RECOMMEND PANEL MOUNTING



1 o | o 2
 3 o o 4
 a-(L)-b (+)

CONTACT CONFIGURATION



NOTES:

1. ALL DIMENSIONS IN MM [INCH]
2. GENERAL TOLERANCE: X.X=±0.4
X.XX=±0.25
3. TERM. NOS. FOR REFERENCE ONLY.
4. RATING: 5A@250V AC / 8A@125V AC
5. MECHANICAL LIFETIME: >2 MILLION OPERATIONS
6. TRAVEL: 3.0MM
7. CONTACT MATERIAL: COPPER ALLOY W/SILVER PLATING
8. LAMP VOLTAGE: 12V DC

E-SWITCH®

TITLE					P16EER11JREDRED				
SCALE	DATE	DR	DWG	REV	SCALE	DATE	DR	DWG	REV
1.5:1	3/8/04	AR	XF0344P	A					

A	13821	RELEASED FOR PRODUCTION	3/8/04	AR
REV.	ECN No.	DESCRIPTION	DATE	CHKD

THE INFORMATION CONTAINED IN THIS DOCUMENT IS PROPRIETARY TO E-SWITCH AND IS NOT TO BE COPIED OR TRANSFERRED