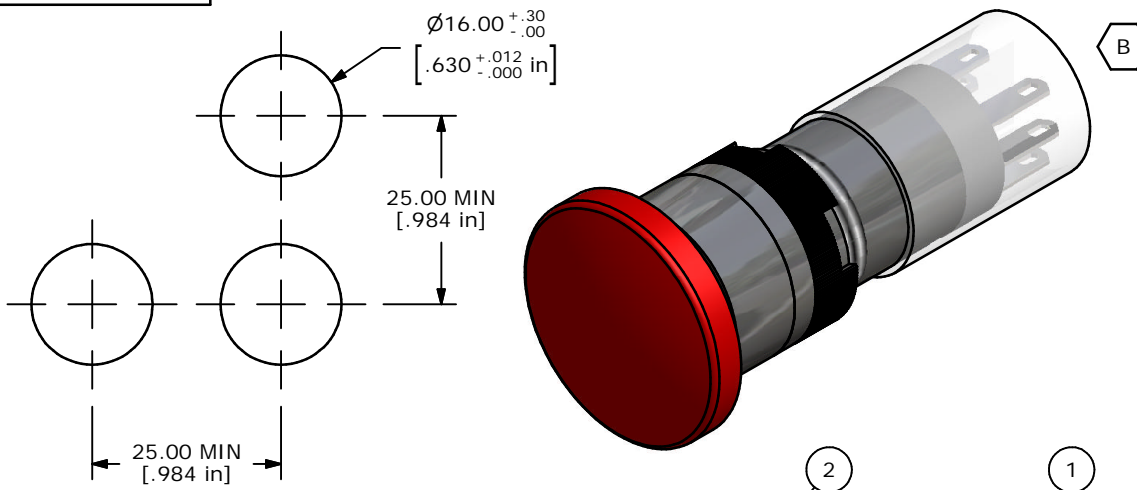
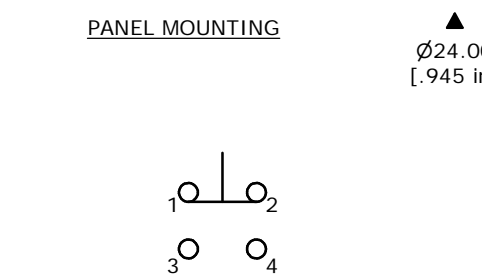


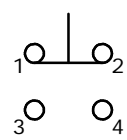
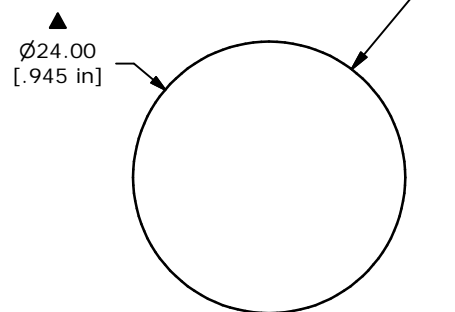
ITEM	QTY	PART NUMBER	DESCRIPTION
1	1	F040015	P16EER12
2	1	F051202	50-012-02 RED MUSHROOM HEAD
3	1	F051601	P16 PLASTIC TERMINAL PROTECTOR



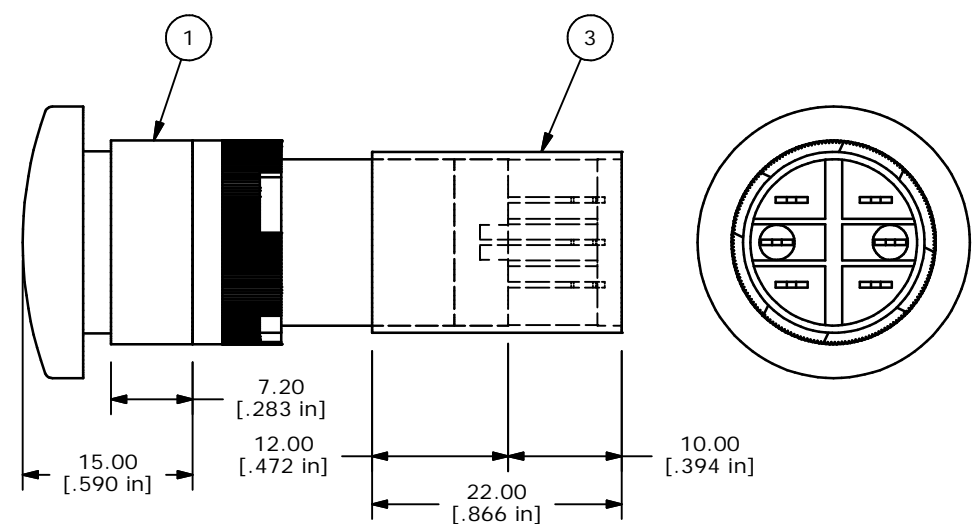
B



PANEL MOUNTING



SPDT CONTACT CONFIGURATION



- NOTE:
1. ALL DIMENSIONS IN MM [INCH]
 2. GENERAL TOLERANCE: X.X=±0.4
X.XX=±0.25
 3. TERMINAL NUMBERS FOR REF ONLY
 4. MECHANICAL LIFE: 2,000,000 OPERATIONS
 5. INSULATION RESISTANCE: 1,000 MILLI-OHM MIN.
 6. OPERATING TEMP.: -25°C to 70°C
 - ▲ 7. LAMP VOLTAGE: NO LAMP
 8. ▲ DENOTES CRITICAL PARAMETER.



B	14456	CORRECT PART # AND DESC. FOR ITEM 1	11/4/04	AR
A	14425	RELEASED FOR PRODUCTION	10/25/04	AR
REV	PCR NO	DESCRIPTION	DATE	BY

TITLE P16EER10RED				
SCALE	DATE	DR	DWG	REV
2:1	10/25/04	AR	XF0607P	B

THE INFORMATION CONTAINED IN THIS DOCUMENT IS PROPRIETARY TO E-SWITCH AND IS NOT TO BE COPIED OR TRANSFERRED