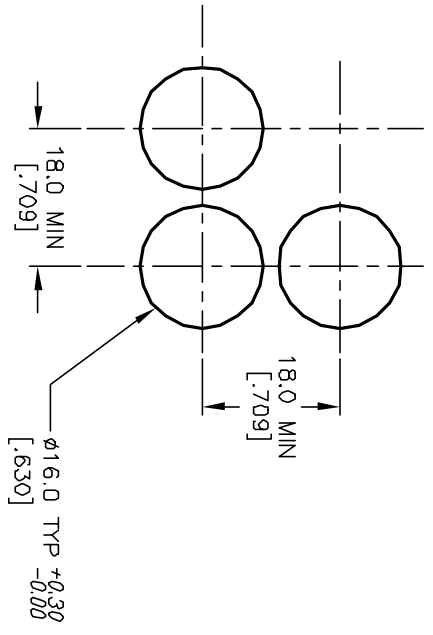
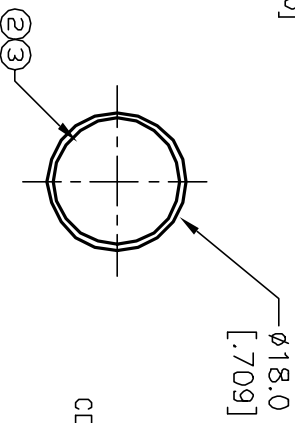


PARTS LIST			
ITEM	QTY.	PART NO.	PART DESCRIPTION
1	1	F040015	P16 EE R11
2	1	F050417	50-004-17
3	1	F050104	50-001-04 (RED LENS TRANSPARENT)



RECOMMEND PANEL MOUNTING

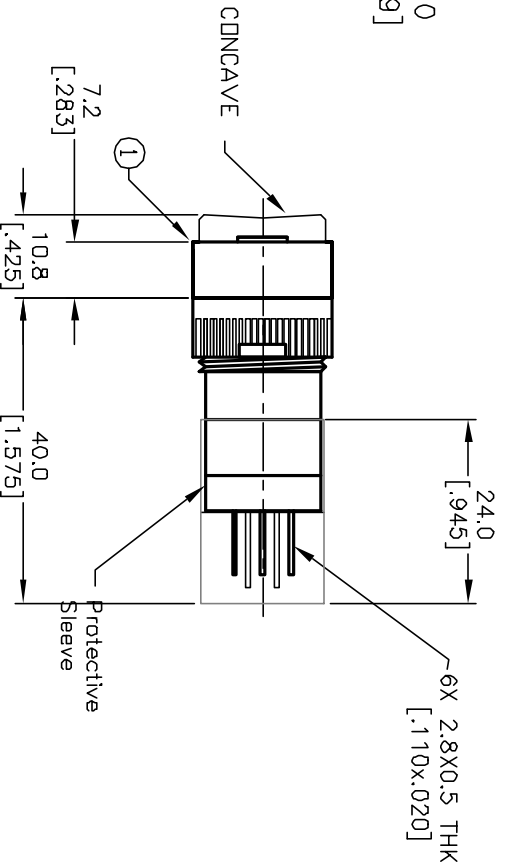


1 0 1 0 2
3 0 0 4
a-L-b (+)

CONTACT CONFIGURATION

NOTES:

1. ALL DIMENSIONS IN MM [INCH]
2. GENERAL TOLERANCE: X.X=±0.4 X.XX=±0.25
3. TERM. NOS. FOR REFERENCE ONLY.
4. RATING: 5A @250V AC; 8A @125V AC
5. MECHANICAL LIFETIME: >2 MILLION OPERATIONS
6. TRAVEL: 3.0MM
7. CONTACT MATERIAL: COPPER ALLOY W/SILVER PLATING
8. LAMP VOLTAGE: 6V DC



REV.	ECN No.	DESCRIPTION	DATE	CHKD
A	12337	RELEASED FOR PRODUCTION	8/2/02	CB

TITLE	SCALE	DATE	DR	DWG	REV
P16 EE R11 H RED RED (LATCHING) TRANSPARENT/CONCAVE LENS	1.5:1	8/2/02	CJC	XF0488P	A



THE INFORMATION CONTAINED IN THIS DOCUMENT IS PROPRIETARY TO E-SWITCH AND IS NOT TO BE COPIED OR TRANSFERRED