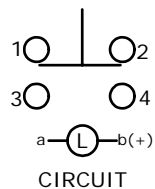
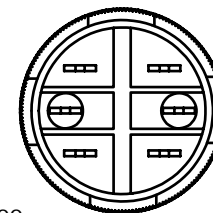
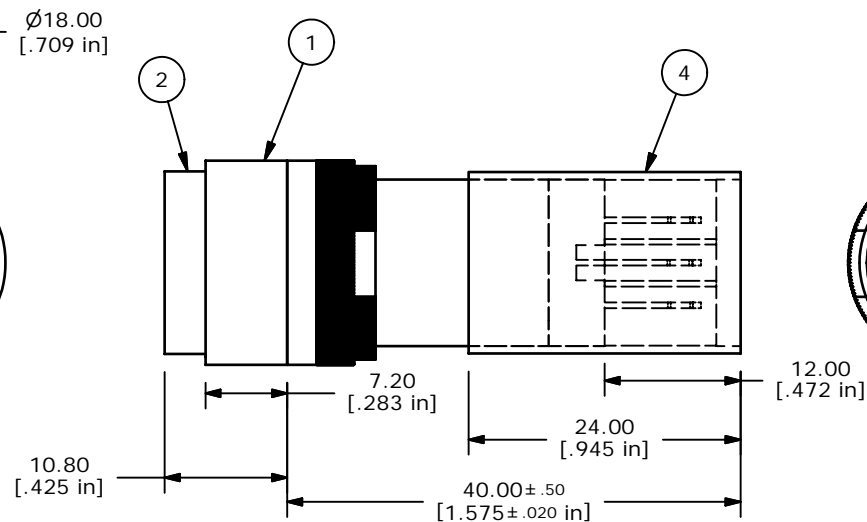
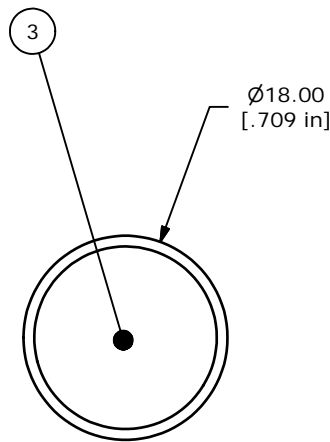


RECOMMENDED PANEL MOUNTING



NOTE:

1. ALL DIMENSIONS IN MM [INCH]
2. GENERAL TOLERANCE: X.X=±0.4  
X.XX=±0.25
3. TERMINAL NUMBERS FOR REF ONLY
4. OPERATING TEMP: -25°C to +55°C
5. STORAGE TEMP: -40°C TO +85°C
- ▲ 6. LAMP VOLTAGE: 24VDC LED
7. RATING: 5A @ 250 VAC  
6A @ 24 VDC
8. MECHANICAL LIFE: 2 MILLION OPERATIONS
9. ▲ DENOTES CRITICAL PARAMETER.
10. 2002/05/EC (ROHS) COMPLIANT.



PARTS LIST				
ITEM	QTY	PART NUMBER	DESCRIPTION	
1	1	F040015	P16EER11 BODY	
2	1	F052106	5000306 YELLOW OPAQUE CONCAVE LENS	
3	1	F050424	5000424 YELLOW 24V LED	
4	1	F051601	P16 PLASTIC TERMINAL PROTECTOR	

**E-SWITCH®**

A	16378	RELEASED FOR PRODUCTION	8/25/06	BO
REV	PCR NO	DESCRIPTION	DATE	BY

TITLE P16EER11KYELYEL				
SCALE	DATE	DR	DWG	REV
1.5:1	8/25/2006	BO	XF0684P	A

THE INFORMATION CONTAINED IN THIS DOCUMENT IS PROPRIETARY TO E-SWITCH AND IS NOT TO BE COPIED OR TRANSFERRED