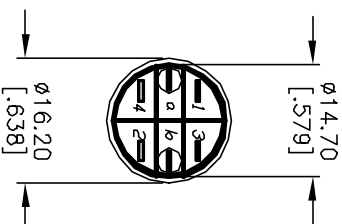
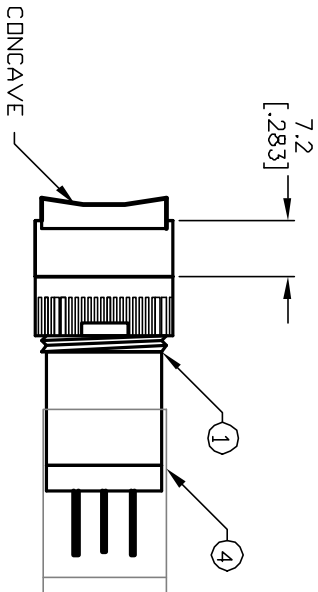
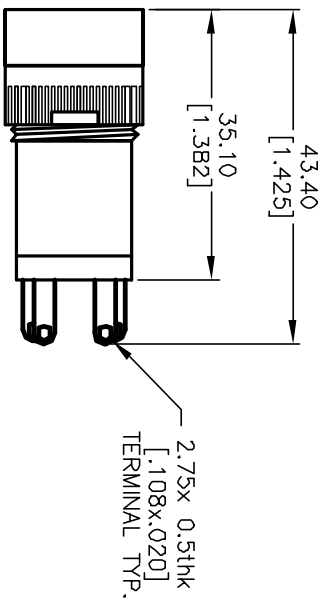
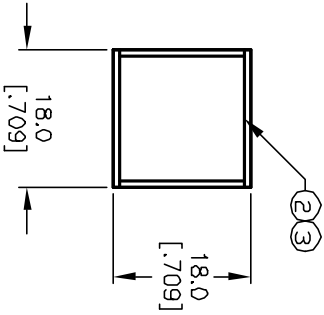


RECOMMEND PANEL MOUNTING

1 0 | 0 2
3 0 0 4
α-Ⓛ-b (+)



SPST
CONTACT CONFIGURATION

NOTES:

1. ALL DIMENSIONS IN MM [INCH]
2. GENERAL TOLERANCE: X.XX=±0.4
X.XX=±0.25
3. TERM. NOS. FOR REFERENCE ONLY.
4. RATING: 5A@250V AC;
BA@125V AC
5. MECHANICAL LIFETIME: >2 MILLION OPERATIONS
6. TRAVEL: 3.0MM (TOTAL)
7. CONTACT MATERIAL: COPPER ALLOY W/SILVER PLATING
8. LAMP VOLTAGE: 6V DC/200mA

PARTS LIST

| ITEM | QTY. | PART NO. | PART DESCRIPTION |
|------|------|----------|----------------------------------|
| 1 | 1 | F040011 | P16 EE S11 |
| 2 | 1 | F050402 | 50-004-02 (Incandescent) |
| 3 | 1 | F050302 | 50-003-02 (GRN LENS TRANSPARENT) |
| 4 | 1 | F051601 | P16 PLASTIC TERMINAL PROTECTOR |

E-SWITCH®

TITLE

P16 EE S11 A GRN
TRANSPARENT /CONCAVE LENS

SCALE

1.5:1

DATE

11/19/02

DR

CB

DWG

XF0528P

REV

A

THE INFORMATION CONTAINED IN THIS DOCUMENT
IS PROPRIETARY TO E-SWITCH AND IS
NOT TO BE COPIED OR TRANSFERRED

| REV. | ECN No. | DESCRIPTION | DATE | CHKD |
|------|---------|-------------------------|----------|------|
| A | 12523 | RELEASED FOR PRODUCTION | 11/19/02 | CB |