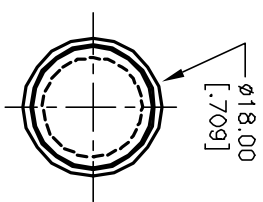
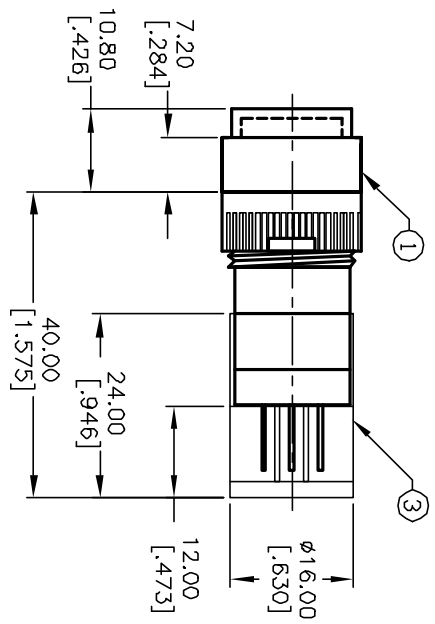
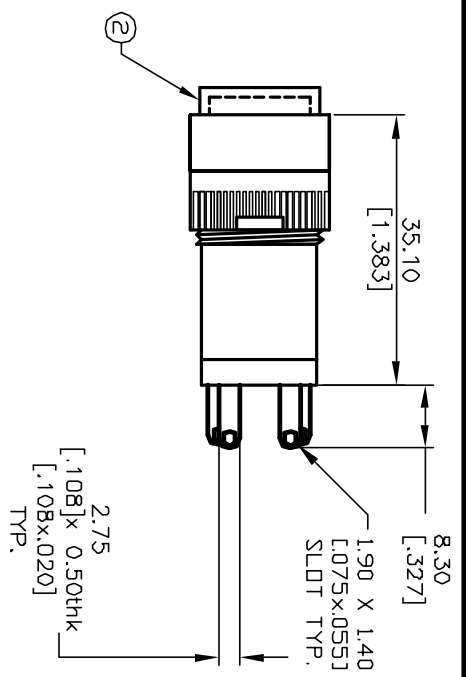


RECOMMENDED PANEL MOUNTING



1 0 1 0 2  
3 0 0 4  
a-D-b (+)

CONTACT CONFIGURATION



NOTES:

1. ALL DIMENSIONS IN MM [INCH]
2. GENERAL TOLERANCE: X.X=±0.4  
X.XX=±0.25
3. TERM. NOS. FOR REFERENCE ONLY.
4. RATING: 5A@250V AC / 8A@125V AC
5. MECHANICAL LIFETIME: >2 MILLION OPERATIONS
6. TRAVEL: 3.0MM
7. CONTACT MATERIAL: COPPER ALLOY W/SILVER PLATING

PARTS LIST

ITEM	QTY.	PART NO.	PART DESCRIPTION
1	1	F040014	P160AR11
2	1	F050111	50-001-11 (BLUE)
3	1	F051601	P16 PLASTIC TERMINAL PROTECTOR

**E-SWITCH®**

P160AR110BLU

REV.	ECN No.	DESCRIPTION	DATE	CHKD
A	12915	RELEASED FOR PRODUCTION	3/17/03	AR

TITLE	SCALE	DATE	DR	DWG	REV
P160AR110BLU	1.5:1	3/17/03	AR	XF0546P	A

THE INFORMATION CONTAINED IN THIS DOCUMENT IS PROPRIETARY TO E-SWITCH AND IS NOT TO BE COPIED OR TRANSFERRED