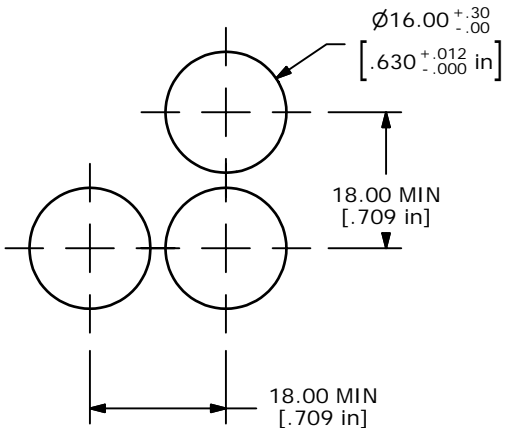
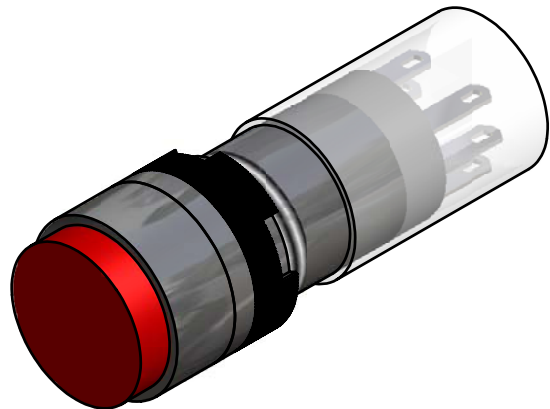
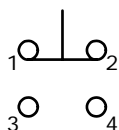


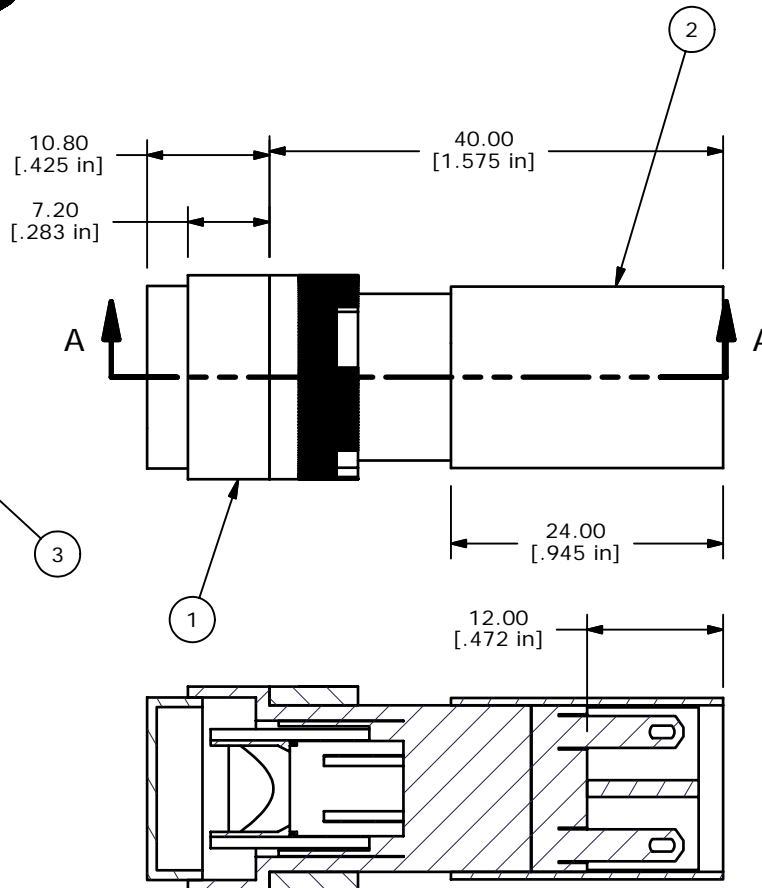
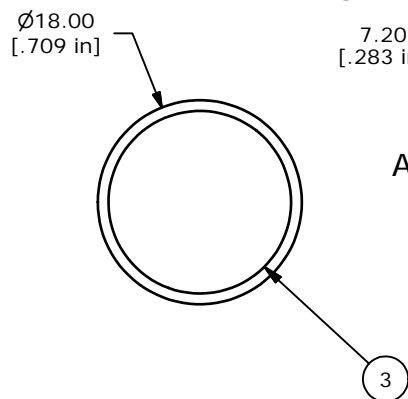
ITEM	QTY	PART NUMBER	DESCRIPTION
1	1	F040014	P16OAR11
2	1	F051601	P16 PLASTIC TERMINAL PROTECTOR
3	1	F050117	ROUND FLAT RED



PANEL MOUNTING



SPDT CONTACT CONFIGURATION



SECTION A-A  
SCALE 1.50 : 1

NOTE:

1. ALL DIMENSIONS IN MM [INCH]
2. GENERAL TOLERANCE: X.X=±0.4  
X.XX=±0.25
3. TERMINAL NUMBERS FOR REF ONLY
4. MECHANICAL LIFE: 2,000,000 OPERATIONS
5. INSULATION RESISTANCE: 1,000 MEGA-OHM MIN.
6. OPERATING TEMP.: -25°C to 70°C
- ▲ 7. LAMP VOLTAGE: NO LAMP
8. CONTACT RATING: 5A @ 250VAC  
6A @ 240VAC
9. ▲ DENOTES CRITICAL PARAMETER.



B	15948	EDIT PARTS LIST	4/5/06	PH
A	15352	RELEASED FOR PRODUCTION	10/3/05	PH
REV	PCR NO	DESCRIPTION	DATE	BY

TITLE P16OAR110RED				
SCALE 2:1	DATE 10/3/2005	DR PH	DWG XF0645P	REV B