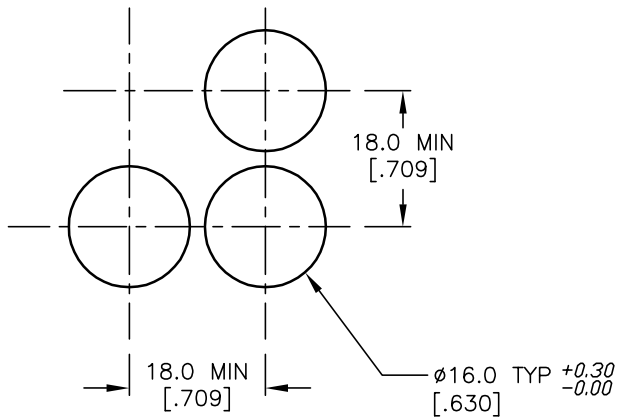
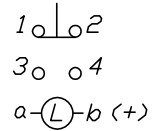
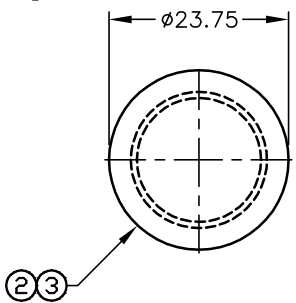


ITEM	QTY..	DWG. NO.	PART NO.
1	1	F040014	P16 OA R11
2	1	F050417	50-004-17 (RED LED)
3	1	F051212	50-012-12 (RED LENS TRANSPARENT)
4	1	F051601	P16 PLASTIC TERMINAL PROTECTOR

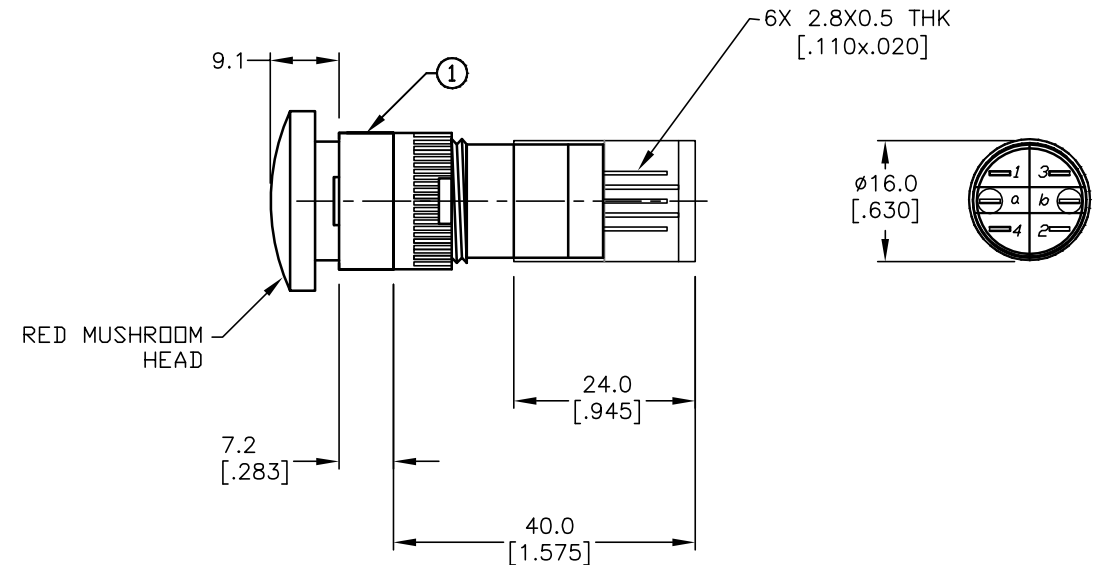


Ⓟ

RECOMMENDED PANEL MOUNTING



SPST
CONTACT CONFIGURATION



NOTES:

1. ALL DIMENSIONS IN MM
2. GENERAL TOLERANCE: X.X=±0.4
X.XX=±0.25
3. RATINGS: 5A @250V AC;
8A @125V AC
4. CONTACT MATERIAL:
COPPER ALLOY W/Silver Plating
- ▲ 5. LAMP VOLTAGE: 6V DC
6. ▲ DENOTES CRITICAL PARAMETER.

E-SWITCH®

REV.	ECN No.	DESCRIPTION	DATE	CHKD
B	13818	CORRECT PARTS LIST #2	3/5/04	AR
A	13557	RELEASED FOR PRODUCTION	10/27/03	AR

TITLE **P16OAR1HREDRED**

THE INFORMATION CONTAINED IN THIS DOCUMENT IS PROPRIETARY TO E-SWITCH AND IS NOT TO BE COPIED OR TRANSFERRED

SCALE	DATE	DR	DWG	REV
1.5:1	10/27/03	AR	XF0572A	B