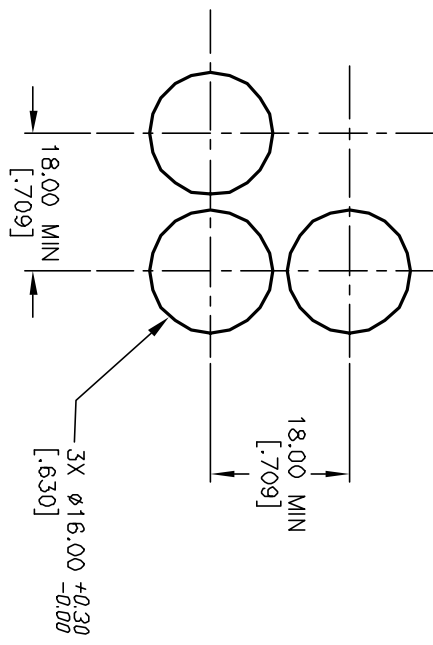


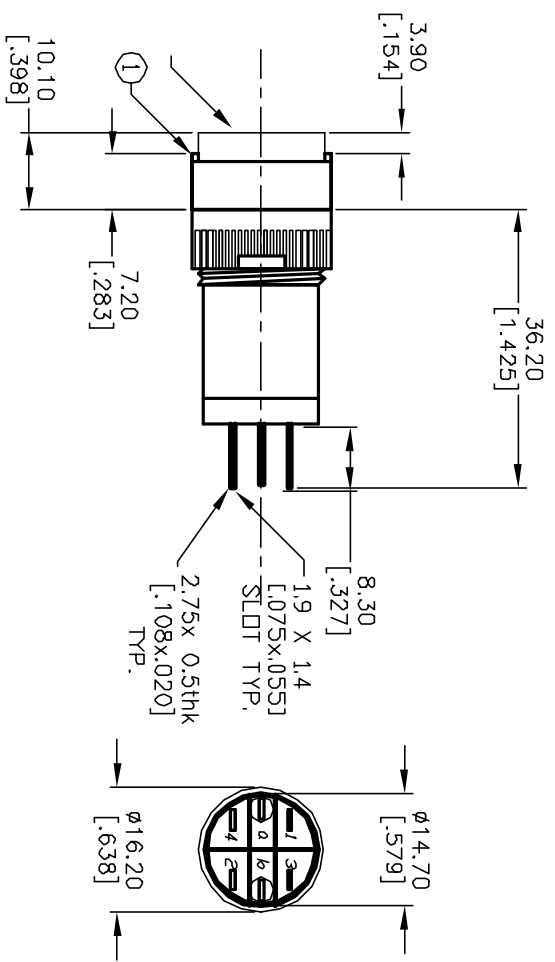
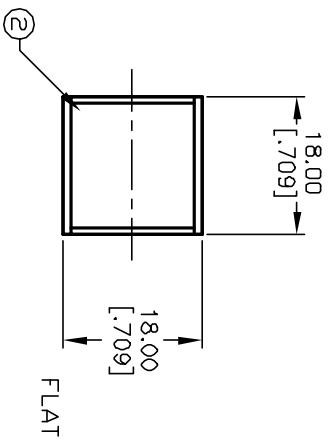
PARTS LIST			
ITEM	QTY.	PART NO.	PART DESCRIPTION
1	1	F040010	P16 0A S11
2	1	F052311	50-003-11 (BLU OPAQUE LENS)



RECOMMENDED
PANEL MOUNTING

1.0 ± .02
3.0 ± .04
a-L-b (+)

SPST
CONTACT CONFIGURATION



NOTES:

1. ALL DIMENSIONS IN MM [INCH]
2. GENERAL TOLERANCE: X.X=±0.4
X.XX=±0.25
3. TERM. NOS. FOR REFERENCE ONLY.
4. RATING: 5A@250V AC / 8A@125V AC
5. MECHANICAL LIFETIME: >2 MILLION OPERATIONS
6. TRAVEL: 3.0MM
7. CONTACT MATERIAL: COPPER ALLOY W/SILVER PLATING

REV.	ECN No.	DESCRIPTION	DATE	CHKD
A	12455	RELEASED FOR PRODUCTION	10/1/02	CB

TITLE		SCALE		DATE	DR	DWG	REV
P16 0A S11 0 BLU		1.5:1		10/1/02	CB	XF0518P	A



THE INFORMATION CONTAINED IN THIS DOCUMENT IS PROPRIETARY TO E-SWITCH AND IS NOT TO BE COPIED OR TRANSFERRED