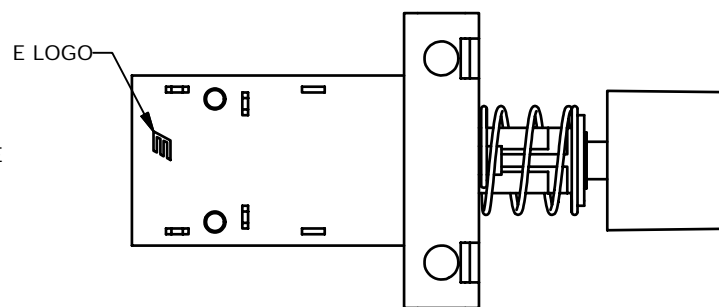
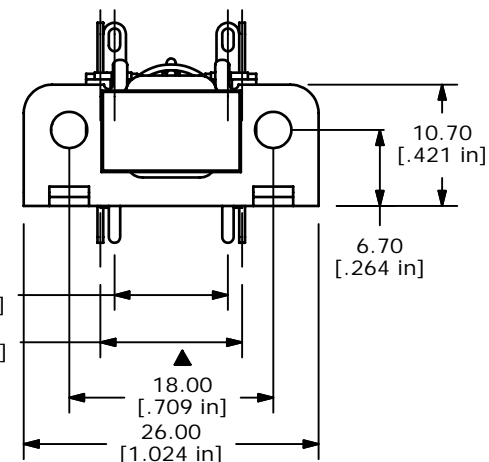


TADGRY (T041633)



- NOTE:
1. ALL DIMENSIONS IN MM [INCH]
  2. GENERAL TOLERANCE: X.X=±0.4  
X.XX=±0.25
  3. TERM. NOS. FOR REFERENCE ONLY.
  - ▲ 4. RATING: 7A@125VAC, 4A@250VAC UL, CUL, & VDE APPROVED
  5. CONTACT MATERIAL:  
TERMINALS, COPPER ALLOY SILVER PLATE.  
CONTACTS, COPPER ALLOY W/TIN OXIDE
  6. CONTACT RESISTANCE: 100MILLI-OHMS MAX.
  7. DIELECTRIC STRENGTH: 1000VAC for 1min
  8. ELECTRICAL LIFE: 6,000 CYCLES
  9. OPERATING FORCE: 550±150gf TYP.
  10. TRAVEL: FULL: 5.5±0.2mm, LOCK: 4.0±0.2mm
  11. ▲DENOTES CRITICAL PARAMETER
  12. 2002/95/EC (ROHS) COMPLIANT

**E-SWITCH®**

A	15581	RELEASED FOR PRODUCTION	12/13/05	PH
REV	PCR NO	DESCRIPTION	DATE	BY

TITLE P227EE1A18ATADGRY				
SCALE	DATE	DR	DWG	REV
1.5	12/13/2005	PH	XP0283A	A

THE INFORMATION CONTAINED IN THIS DOCUMENT IS PROPRIETARY TO E-SWITCH AND IS NOT TO BE COPIED OR TRANSFERRED