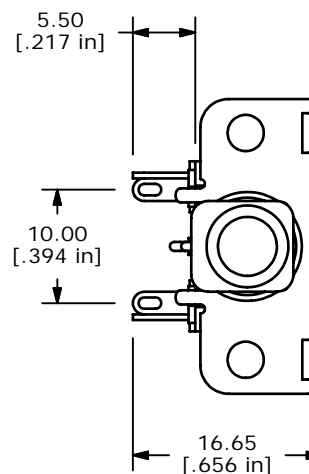
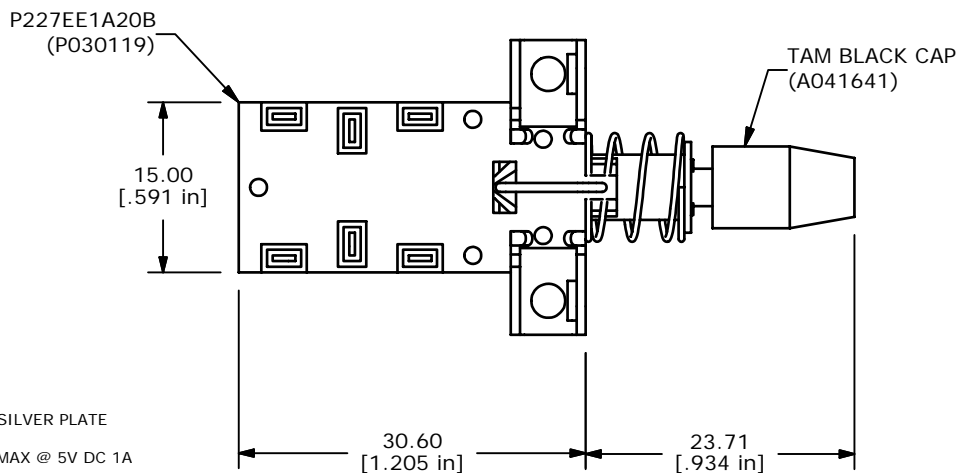


MOUNTING HOLE LAYOUT



NOTES:

1. ALL DIMENSIONS IN MM [INCH].
2. GENERAL TOLERANCE: X.X=±0.4
 X.XX=±0.25
3. TERM. NOS. FOR REFERENCE ONLY.
4. CONTACT MATERIAL: COPPER ALLOY W/ SILVER PLATE
5. RATING: 7A@125V, 4A@250V
6. CONTACT RESISTANCE: 20 MILLI-OHMS MAX @ 5V DC 1A
7. DIELECTRIC STRENGTH: AC 1500V RMS
8. OPERATING FORCE: 550±150gf TYP.
9. TRAVEL: FULL:5.5, LOCK:4.0



A	14892	CREATED DRAWING	5/2/05	JB
REV	PCR NO	DESCRIPTION	DATE	BY

TITLE P227EE1A20BTAMBLK				
SCALE	DATE	DR	DWG	REV
1.5	5/2/2005	JB	XP0276A	A

THE INFORMATION CONTAINED IN THIS DOCUMENT IS PROPRIETARY TO E-SWITCH AND IS NOT TO BE COPIED OR TRANSFERRED