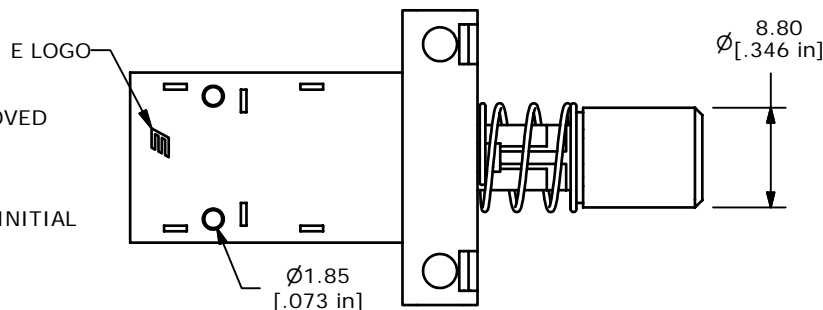


NOTE:

1. ALL DIMENSIONS IN MM [INCH]
2. GENERAL TOLERANCE: X.X=±0.4
X.XX=±0.25
3. TERM. NOS. FOR REFERENCE ONLY.
4. RATING: 7A@125V, 4A@250 UL, CUL, & VDE APPROVED
- ▲ 5. CONTACT MATERIAL:
TERMINALS, COPPER ALLOY SILVER PLATE.
CONTACTS, COPPER ALLOY W/TIN OXIDE
6. CONTACT RESISTANCE: 100MILLI-OHMS TYP. MAX INITIAL
7. DIELECTRIC STRENGTH: 1000V for 1min
8. ELECTRICAL LIFE: 6,000 CYCLES
9. OPERATING FORCE: 550±150gf TYP.
10. TRAVEL: FULL: 4.0, LOCK: 2.5
11. ▲ DENOTES CRITICAL PARAMETER
12. 2002/95/EC (ROHS) COMPLIANT



E-SWITCH®

A	16696	RELEASED FOR PRODUCTION	11/27/06	TN
REV	PCR NO	DESCRIPTION	DATE	BY

TITLE P227EE1B20BTAGBLK				
SCALE	DATE	DR	DWG	REV
1.5	11/27/2006	TN	XP0295A	A

THE INFORMATION CONTAINED IN THIS DOCUMENT IS PROPRIETARY TO E-SWITCH AND IS NOT TO BE COPIED OR TRANSFERRED