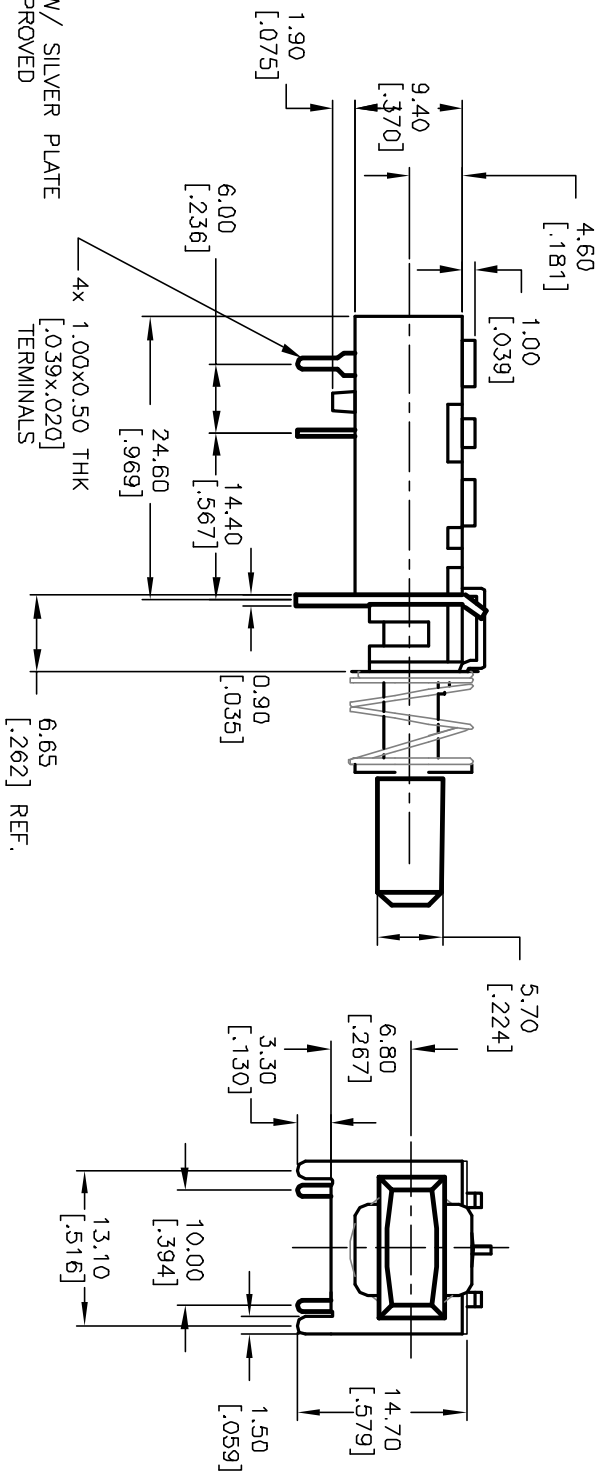
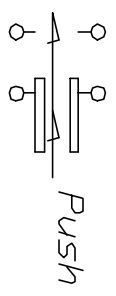
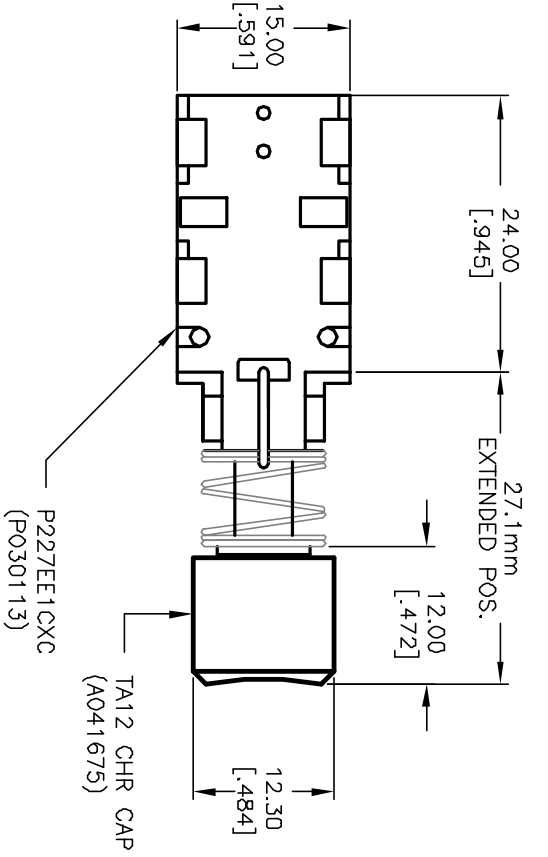


RECOMMENDED P.C.B. LAYOUT



NOTES:

1. ALL DIMENSIONS IN MM [INCH]
2. GENERAL TOLERANCE: X.X=±0.4
X.XX=±0.25
3. TERM. NOS. FOR REFERENCE ONLY.
4. CONTACT MATERIAL: COPPER ALLOY W/ SILVER PLATE
5. RATING: 7A @125V, UL,CUL, VDE APPROVED
4A @250
6. CONTACT RESISTANCE: 20M Ω MAX @ 5V DC 1A
7. DIELECTRIC STRENGTH: AC 1500V RMS
8. OPERATING FORCE: 550±150gf TYP.
9. TRAVEL: FULL:5.6, LOCK:4.0

REV.	ECN No.	DESCRIPTION	DATE	CHKD
A	12557	REVISED, AND REDRAWN	11/13/02	CB

TITLE	SCALE	DATE	DR	DWG	REV
P227 EE 1C X C /TA12 CHR CAP MOUNTED HORIZONTAL	1.5:1	11/13/02	CB	XP0245A	A



THE INFORMATION CONTAINED IN THIS DOCUMENT IS PROPRIETARY TO E-SWITCH AND IS NOT TO BE COPIED OR TRANSFERRED