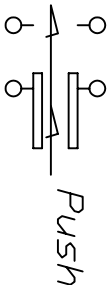
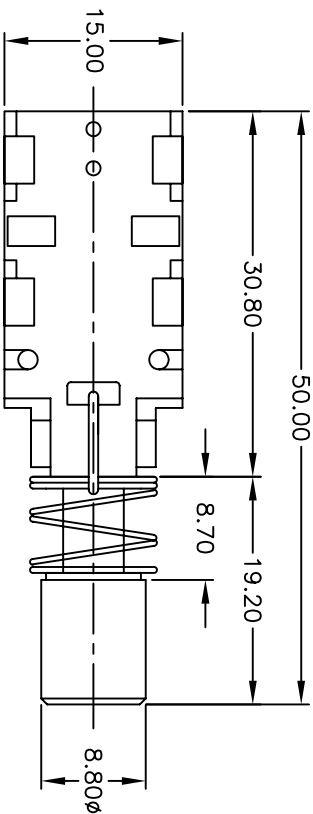
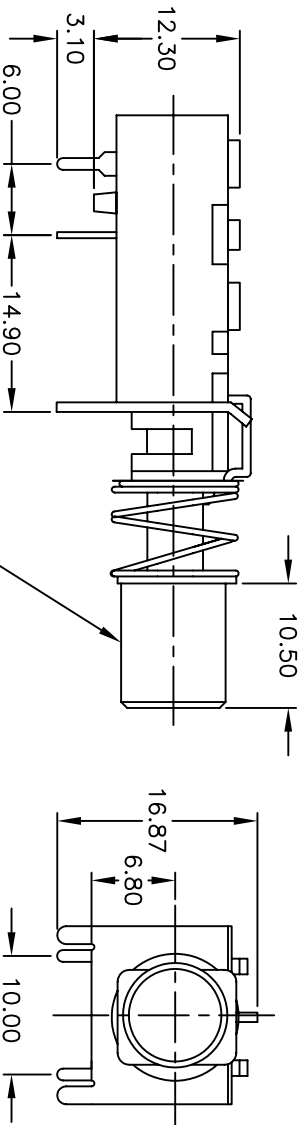


RECOMMENDED P.C.B. LAYOUT



CIRCUIT: DPST

CONTACT CONFIGURATION



NOTES:

1. ALL DIMENSIONS IN MM
2. GENERAL TOLERANCE: X.X=±0.4
X.XX=±0.25
3. TERM. NOS. FOR REFERENCE ONLY.
4. CONTACT MATERIAL: COPPER ALLOY W/ SILVER PLATE
5. RATING: 7A@125V, 4A@250
6. CONTACT RESISTANCE: 100MΩ MAX @ 2-4V DC 1A
7. DIELECTRIC STRENGTH: AC 1500V RMS
8. OPERATING FORCE: 550±150gf TYP.
9. TRAVEL: FULL:5.5, LOCK:4.0
10. 2002/95/EC (ROHS) COMPLIANT

C	15503	CAP TO NEW VENDOR, ROHS	11/7/05	PH
B	12906	REVISED, AND REDRAWN	3/13/03	AR
REV.	ECN NO.	DESCRIPTION	DATE	CHKD

THE INFORMATION CONTAINED IN THIS DOCUMENT IS PROPRIETARY TO E-SWITCH AND IS NOT TO BE COPIED OR TRANSFERRED

E-SWITCH®

TITLE	P227EE1CXTAGBLK (HORIZONTAL MOUNT)
SCALE	1.5:1
DATE	3/13/03
DR	AR
DWG	XP02544
REV	C