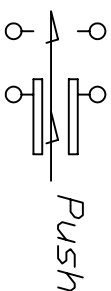


RECOMMENDED P.C.B. LAYOUT

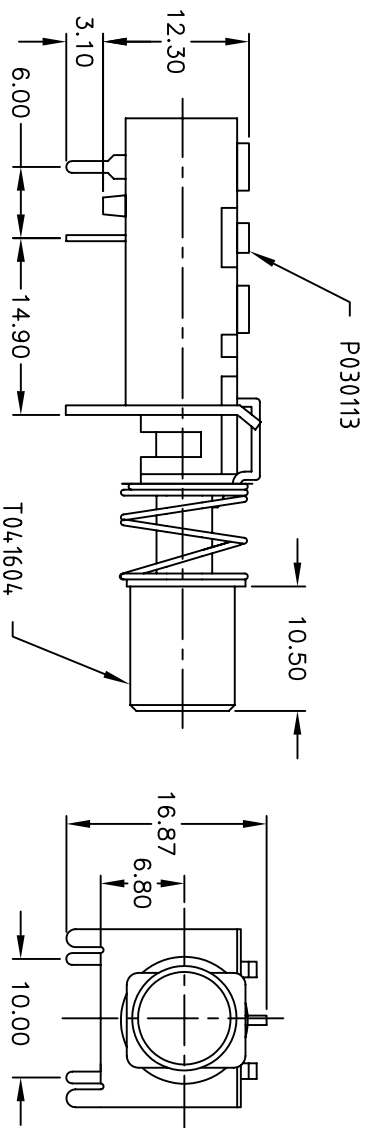
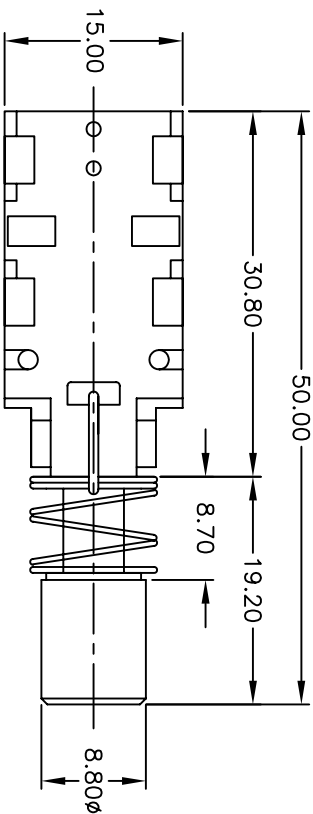


CIRCUIT: DPST

CONTACT CONFIGURATION

NOTES:

1. ALL DIMENSIONS IN MM
2. GENERAL TOLERANCE: X.X=±0.4
X.XX=±0.25
3. TERM. NOS. FOR REFERENCE ONLY.
- ▲4. CONTACT MATERIAL: COPPER ALLOY W/ SILVER PLATE
5. RATING: 7A@125V , 4A@250
6. CONTACT RESISTANCE: 100MΩ MAX @ 2-4V DC 1A
7. DIELECTRIC STRENGTH: AC 1500V RMS
8. OPERATING FORCE: 550±150gf TYP.
9. TRAVEL: FULL:5.5, LOCK:4.0
10. ▲DISIGNATE MAJOR DIMENSIONS
11. 2002/95/EC (ROHS) COMPLIANT



REV.	ECN No.	DESCRIPTION	DATE	CHKD
A	16677	RELEASED FOR PRODUCTION	11/20/06	TN

TITLE		SCALE		DATE	DR	DWG	REV
P227EE1CXCTAGRED		1.5:1		11/20/06	TN	XP02934	A

THE INFORMATION CONTAINED IN THIS DOCUMENT IS PROPRIETARY TO E-SWITCH AND IS NOT TO BE COPIED OR TRANSFERRED