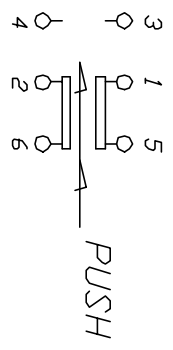
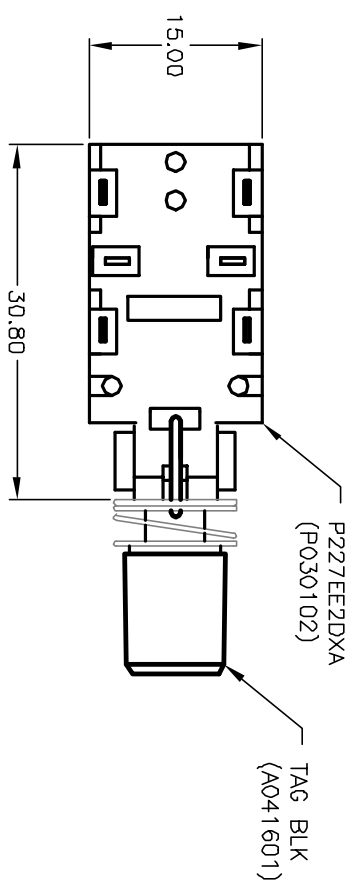
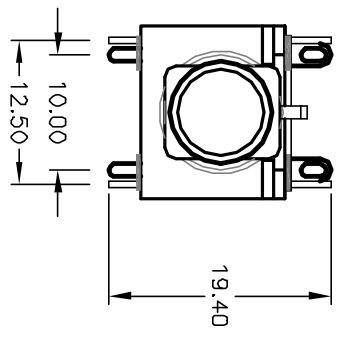
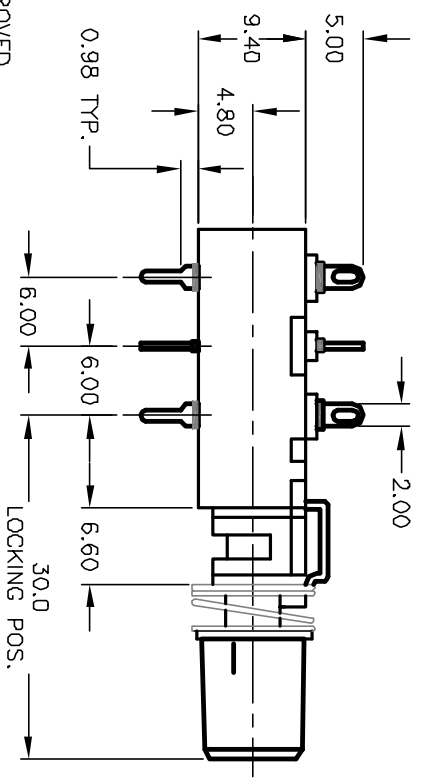


RECOMMEND P.C.B. LAYOUT
SCALE 2:1



CIRCUIT: DPDT
CONTACT CONFIGURATION



- NOTES:
1. ALL DIMENSIONS IN MM
 2. GENERAL TOLERANCE: X.X=±0.4
X.XX=±0.25
 3. TERM. NOS. FOR REF. ONLY
 4. RATING: AC 125V 7A, UL,CUL,VDE APPROVED
AC 250V 4A, UL,CUL,VDE APPROVED
 5. CONTACT MATERIAL: COPPER ALLOY WITH SILVER PLATE.
 6. CONTACT RESISTANCE: 20m ohm max. at 5V DC 1A.
 7. DIELECTRIC STRENGTH: AC 1500V RMS
 8. LIFE EXPECTANCY: Electrical: 6,000 cycle
 9. OPERATING FORCE: 550±150gf
 10. TRAVEL: Full: 5.5mm, Lock: 4.0mm

B	11768	REVISED AND REDRAWN	12/10/02	CB
	--	DESC WAS P227EETAGBLK	--	--
REV.	ECN No.	DESCRIPTION	DATE	CHKD

TITLE		SCALE		DATE	DR	DWG	REV
P227 EE 2DXA/TAG BLK		1.5:1		6/2/97	MM	XP0046A	B

E-SWITCH®

THE INFORMATION CONTAINED IN THIS DOCUMENT IS PROPRIETARY TO E-SWITCH AND IS NOT TO BE COPIED OR TRANSFERRED