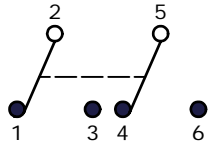
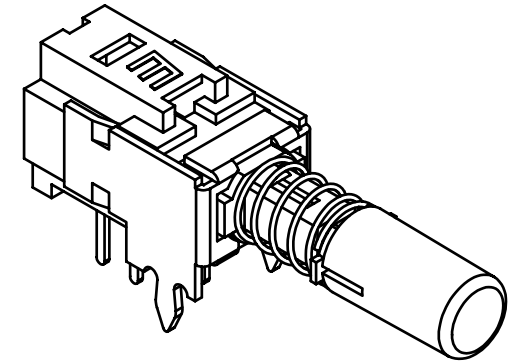
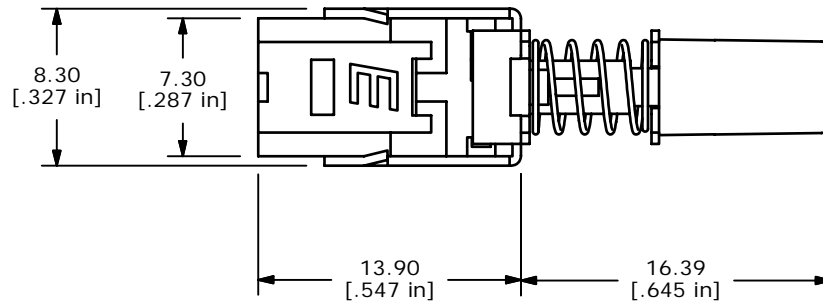


P.C. MOUNTING



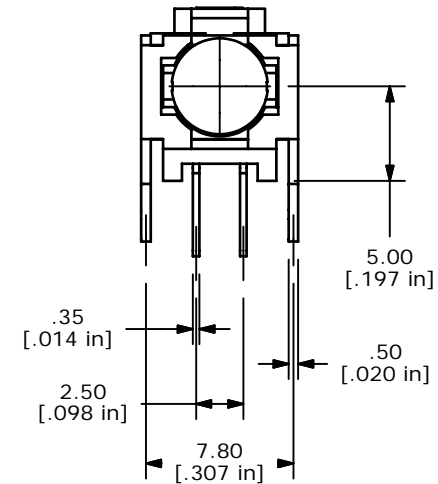
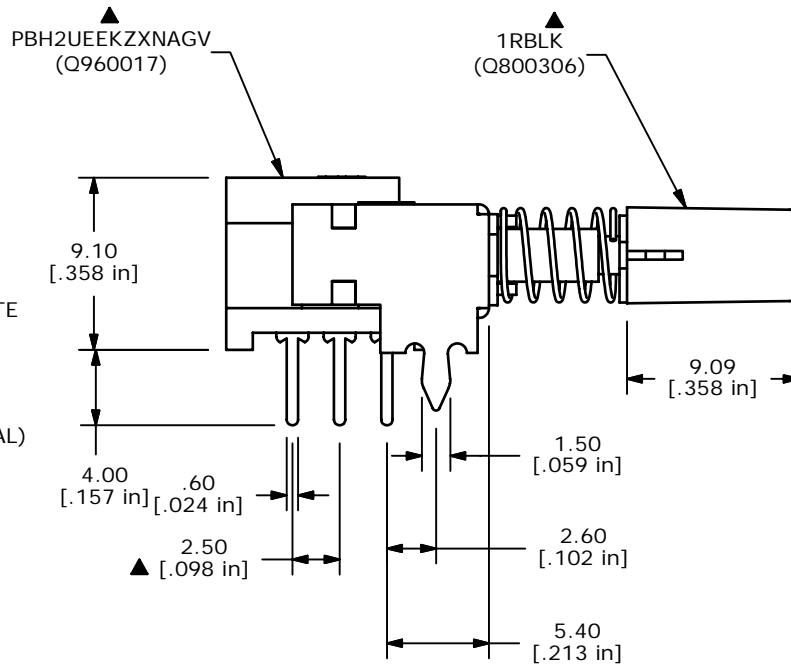
CIRCUIT: 2PDT



ISOMETRIC

NOTES:

1. ALL DIMENSIONS IN MM [INCH]
2. GENERAL TOLERANCE: X.X=±0.4
X.XX=±0.25
3. TERM. NOS. FOR REFERENCE ONLY.
4. RATING 0.1A @30V DC
- ▲ 5. MATERIALS:
CONTACT/TERMINALS: SILVER PLATE
HOUSING: PBT UL94VO
BASE: PA66 UL94VO
ACTUATOR: POM
CAP: ABS UL94VO
6. CONTACT RESISTANCE: 100 mΩ (INITIAL)
- ▲ 7. TIMING: NON-SHORTING
8. OPERATING FORCE: 230±50GF
9. TRAVEL: LATCHING
2MM TO LOCK
3MM OVERALL
10. ELECTRICAL LIFE: 10000 CYCLES
11. OPERATING TEMP: -20°C TO +70°C
12. 2002/95/EC (ROHS) COMPLIANT
13. ▲ DENOTES CRITICAL PARAMETER.



B	16067	EDIT SWITCH NUMBER	5/30/2006	CT
A	16045	RELEASED FOR PRODUCTION	5/19/06	CT
REV	PCR NO	DESCRIPTION	DATE	BY

TITLE PBH2UEEKZXNAGV1RBLK94VO				
SCALE	DATE	DR	DWG	REV
2.5:1	5/19/2006	CT	XQ0018P	B

THE INFORMATION CONTAINED IN THIS DOCUMENT IS PROPRIETARY TO E-SWITCH AND IS NOT TO BE COPIED OR TRANSFERRED