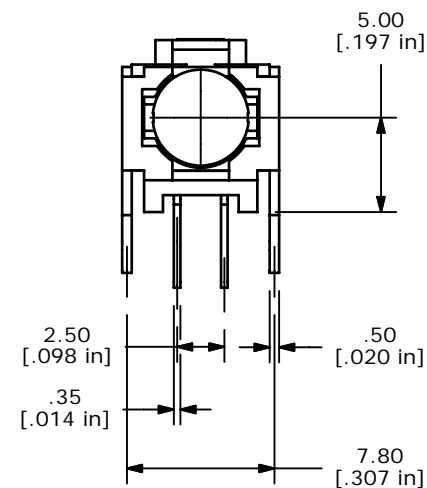
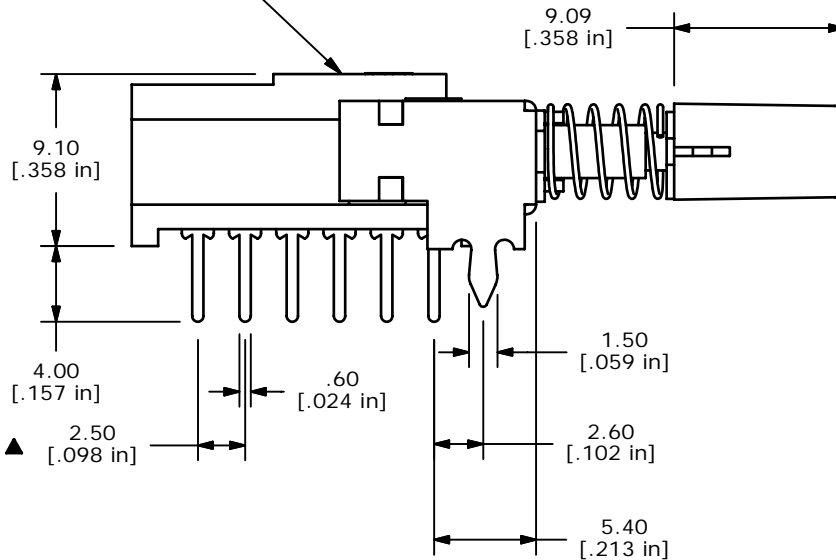


PBH4UEEKZXNAGV
(Q960020)



- NOTES:
- ALL DIMENSIONS IN MM [INCH]
 - GENERAL TOLERANCE: X.X=±0.4
X.XX=±0.25
 - TERM. NOS. FOR REFERENCE ONLY.
 - ▲ 4. RATING 0.1A @30V DC
 - MATERIALS:
CONTACT/TERMINALS: SILVER PLATE
HOUSING: PBT UL94VO
BASE: PA66 UL94VO
ACTUATOR: PA66 UL94VO
CAP: ABS UL94VO
 - CONTACT RESISTANCE: 100 mΩ (INITIAL)
 - ▲ 7. TIMING: NON-SHORTING
 - OPERATING FORCE: 280±50GF
 - TRAVEL: LATCHING
2MM TO LOCK
3MM OVERALL
 - ELECTRICAL LIFE: 10000 CYCLES
 - OPERATING TEMP: -20°C TO +70°C
 - ▲ DENOTES CRITICAL PARAMETER.
 - 2002/95/EC (ROHS) COMPLIANT

E-SWITCH®

A	16489	RELEASED FOR PRODUCTION	9/26/2006	TN
REV	PCR NO	DESCRIPTION	DATE	BY

TITLE PBH4UEEKZXNAGV1RLGR				
SCALE	DATE	DR	DWG	REV
2.5:1	9/26/2006	TN	XQ0024P	A

THE INFORMATION CONTAINED IN THIS DOCUMENT IS PROPRIETARY TO E-SWITCH AND IS NOT TO BE COPIED OR TRANSFERRED