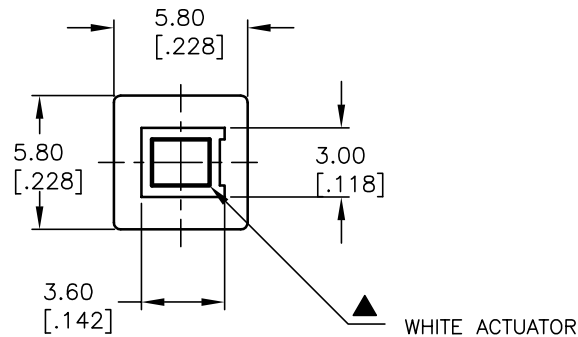
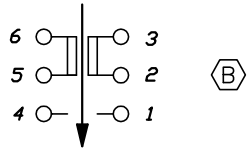


RECOMMENDED P.C.B. LAYOUT



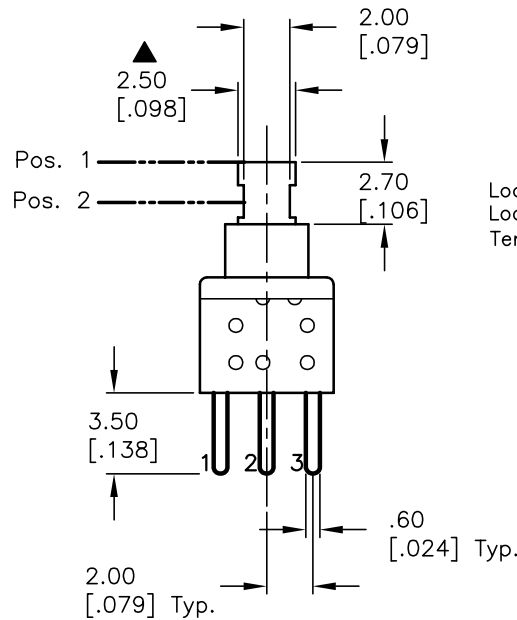
SWITCH FUNCTION		
CONNECTED TERM. #	FUNCTION	
5-6,2-3	NORMALLY CLOSED	POS. 1
2-1,5-4	NORMALLY OPEN	POS. 2
2,5	COMMON	



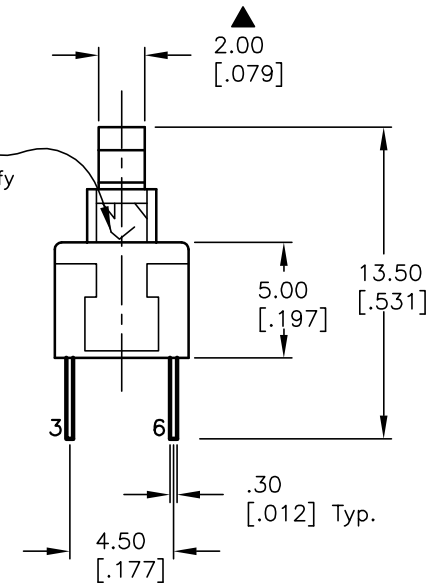
CIRCUIT: DPDT

NOTES:

1. ALL DIMENSIONS IN MM [INCH]
2. GENERAL TOLERANCE: X.X=±0.4
X.XX=±0.25
3. TERM. NOS. FOR REF. ONLY
4. RATING: 0.1A @30V DC
6. TIMING: Non-Shorting
7. TRAVEL: Full: 1.9mm, Lock: 1.0mm
- ▲ 8. OPERATING FORCE: 180±80gf.
9. ELECTRICAL LIFE: 10,000 CYCLES MAKE & BREAK CYCLES AT FULL LOAD.
10. ▲ DESIGNATES CRITICAL PARAMTER.



Locking Recessed Location To Identify Terminals #3, 6



C	14846	CHANGED NOTES	4/15/05	JEB
B	14634	CHANGE TERMINAL NUMBERS	1/20/05	AR
A	11628	RELEASED FOR PRODUCTION	8/27/01	CB
REV.	ECN No.	DESCRIPTION	DATE	CHKD

THE INFORMATION CONTAINED IN THIS DOCUMENT IS PROPRIETARY TO E-SWITCH AND IS NOT TO BE COPIED OR TRANSFERRED

E-SWITCH®

TITLE

TL 2203 EE F180 (LATCHING)

SCALE

3:1

DATE

8/27/01

DR

CB

DWG

D310406

REV

C