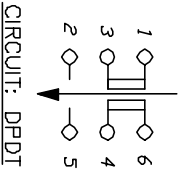


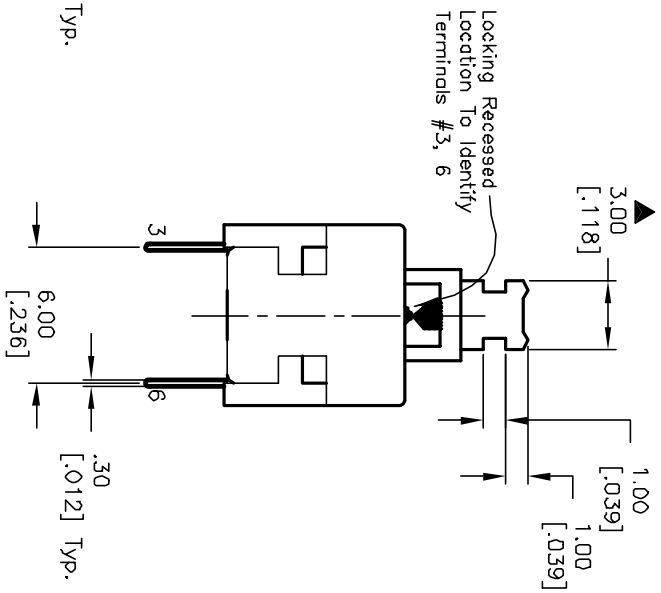
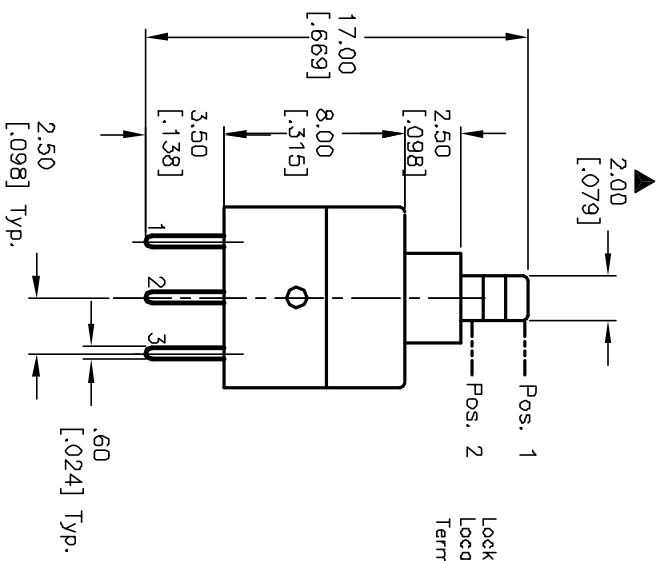
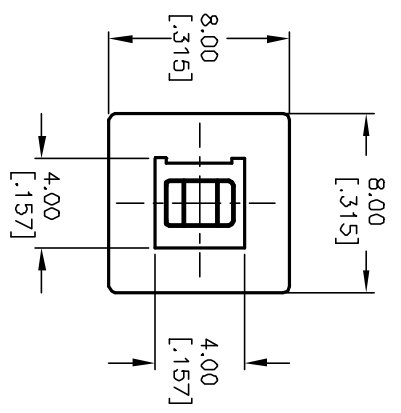
RECOMMENDED P.C.B. LAYOUT

SWITCH FUNCTION	
POS 1	POS 2
3-1,4-6	3-2,4-5
( ) =Momentary	



NOTES:

1. ALL DIMENSIONS IN MM [INCH]
2. GENERAL TOLERANCE: X.X=±0.4 X.XX=±0.25
3. TERM. NOS. FOR REF. ONLY
4. RATING: 0.1A @30V
6. TIMING: Non-Shorting
7. TRAVEL: Full: 2.5mm, Lock: 1.5mm
8. OPERATING FORCE: 200±80gf.
9. ELECTRICAL LIFE: 10,000 CYCLES MAKE & BREAK CYCLES AT FULL LOAD.
10. DESIGNATE MAJOR.



**E-SWITCH®**

A	11631	RELEASED FOR PRODUCTION	8/28/01	CB
REV.	ECN No.	DESCRIPTION	DATE	CHK'D

TITLE		SCALE		DATE	DR	DWG	REV
TL 2285 DA F200 (Momentary)		3:1		8/28/01	CB	D310450	A

THE INFORMATION CONTAINED IN THIS DOCUMENT IS PREPARED BY E-SWITCH AND IS NOT TO BE COPIED OR TRANSMITTED