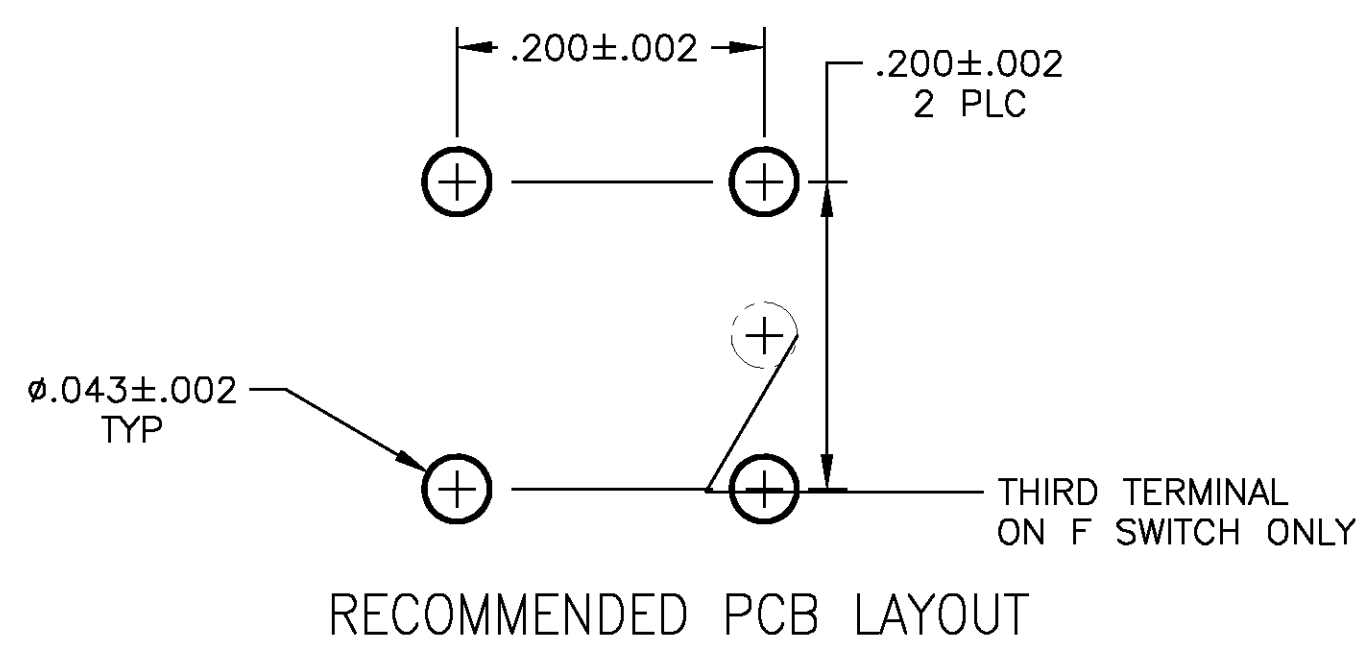
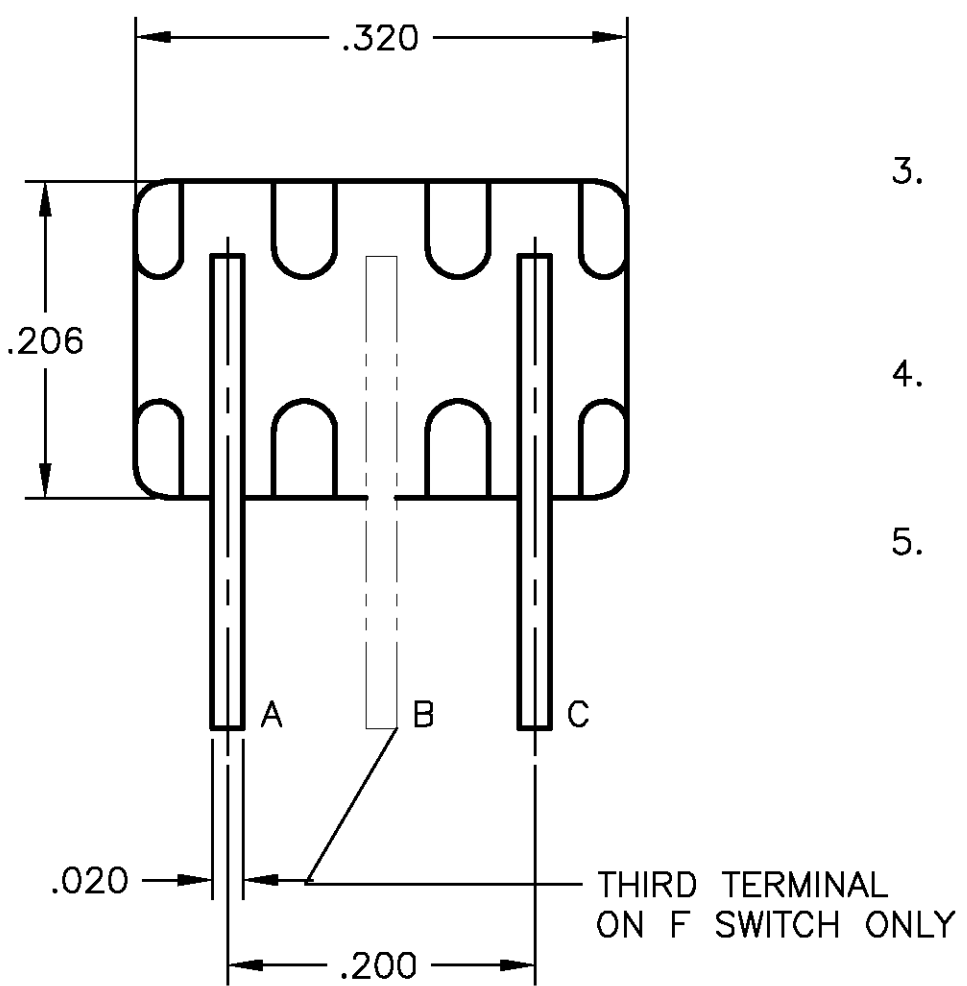
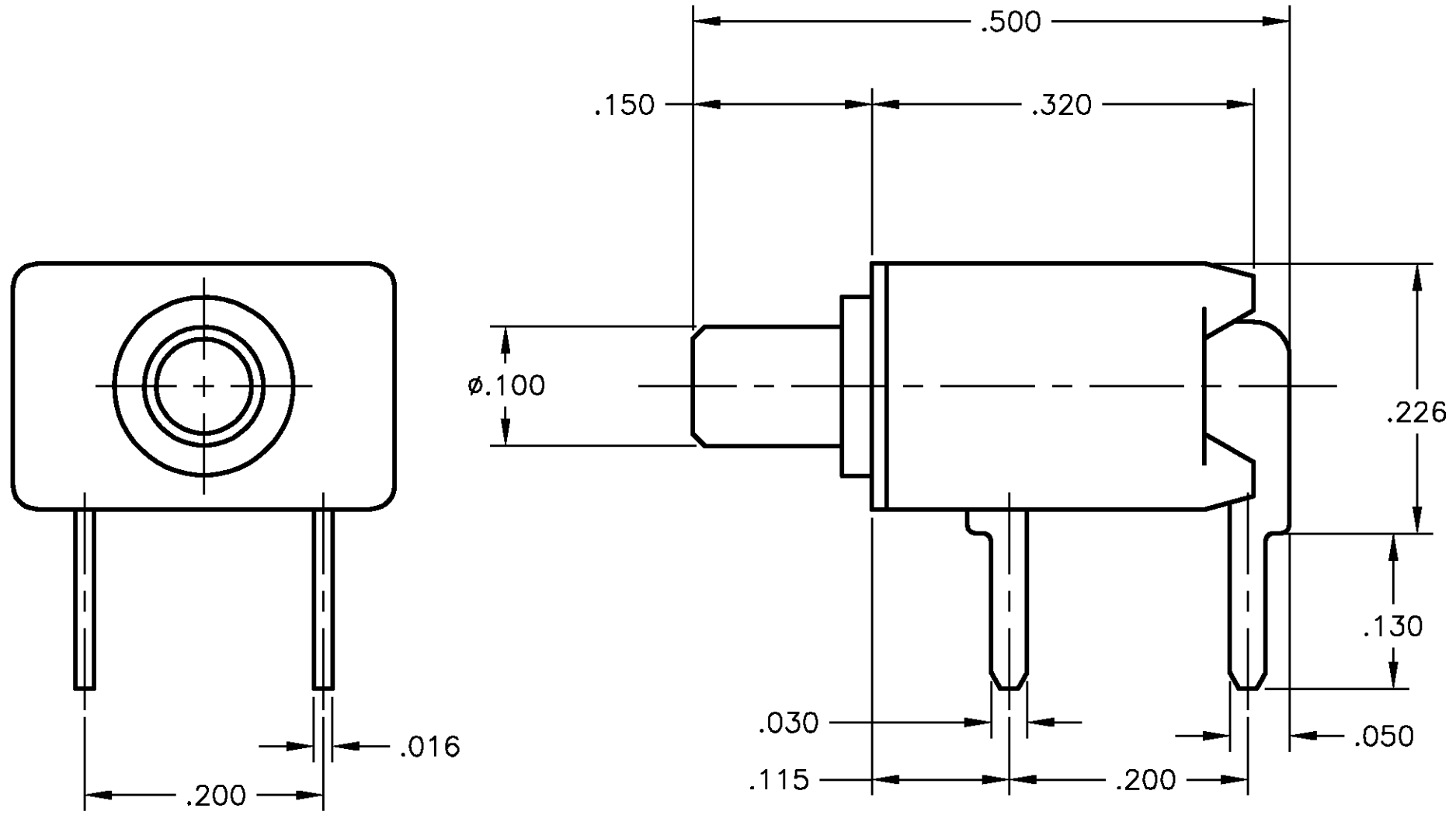


THIS DRAWING IS UNPUBLISHED. RELEASED FOR PUBLICATION
 © COPYRIGHT BY TYCO ELECTRONICS CORPORATION. ALL RIGHTS RESERVED.

LOC		DIST		REVISIONS			
P	LTR	DESCRIPTION	DATE	DWN	APVD		
B		REV PER 0G3C-0173-02	03OCT02	RB	MZ		

NOTES:

- MATERIALS:**
 CASE: THERMOPLASTIC, UL94-V0.
 ACTUATOR BUTTON: THERMOPLASTIC, COLORS: SEE CHART
 MOVING CONTACT: COPPER ALLOY, GOLD PLATED
 FIXED CONTACT: COPPER ALLOY, GOLD PLATED
 TERMINALS: COPPER ALLOY, TIN-LEAD PLATED
 TERMINAL SEAL: SP EPOXY
- ELECTRICAL:**
 CONTACT RATING GOLD: 0.4 VA MAX @ 20 VDC OR PEAK AC
 INITIAL CONTACT RESISTANCE: 20 MILLIOHMS MAX
 INSULATION RESISTANCE: 1,000 MEGOHMS AT 500 VDC MIN.
 DIELECTRIC STRENGTH: 1,000 VOLTS
 LIFE EXPECTANCY: 1 POLE = 1000,000 CYCLES
 2 POLES = 80,000 CYCLES.
- MECHANICAL:**
 ACTUATION FORCE: SEE TABLE
 ACTUATION TRAVEL: .030 APPROX.
- ENVIRONMENTAL:**
 OPERATING TEMPERATURE: -22°F TO +149°F (-30°C TO +65°C)
 STORAGE TEMPERATURE: -22°F TO +149°F (-30°C TO +65°C)
- INTERPRET DRAWING PER ASME Y14.5M-1984



12 oz [.34Kg]	BLUE	B TO C (MOM.)	B TO A	SPDT MOMENTARY	TPA11FGRA6	3-1437571-9
12 oz [.34Kg]	RED	B TO C (MOM.)	B TO A	SPDT MOMENTARY	TPA11FGRA2	3-1437571-8
12 oz [.34Kg]	BLACK	B TO C (MOM.)	B TO A	SPDT MOMENTARY	TPA11FGRA0	3-1437571-6
9 oz [.26Kg]	BLUE	A TO C	NONE	SPST NORMALLY OPEN	TPA11CGRA6	3-1437571-1
9 oz [.26Kg]	RED	A TO C	NONE	SPST NORMALLY OPEN	TPA11CGRA2	3-1437571-0
9 oz [.26Kg]	BLACK	A TO C	NONE	SPST NORMALLY OPEN	TPA11CGRA0	2-1437571-9
ACTUATION FORCE	BUTTON COLOR	DEPRESSED BUTTON	FREE BUTTON	ACTION	AUGAT PART NUMBER	TYCO PART NUMBER

THIS DRAWING IS A CONTROLLED DOCUMENT.

DIMENSIONS: INCHES	TOLERANCES UNLESS OTHERWISE SPECIFIED:	DWN M.BINNER 13DEC2001	CHK M.ZITTO 04DEC01	APVD M.ZITTO 04DEC01	NAME TPA11CG/FG-RA , SWITCH, PUSH BUTTON
0 PLC ± -	1 PLC ± -	2 PLC ± -	3 PLC ± .010	4 PLC ± -	ANGLES ± 1°
MATERIAL SEE TABLE	FINISH -	WEIGHT -	SIZE A2	CAGE CODE 00779	DRAWING NO C-2-1437571-9
CUSTOMER DRAWING		SCALE 8:1	SHEET 1 OF 1	REV B	

Tyco Electronics Corporation
City, State, Zip

2-1437571-9