

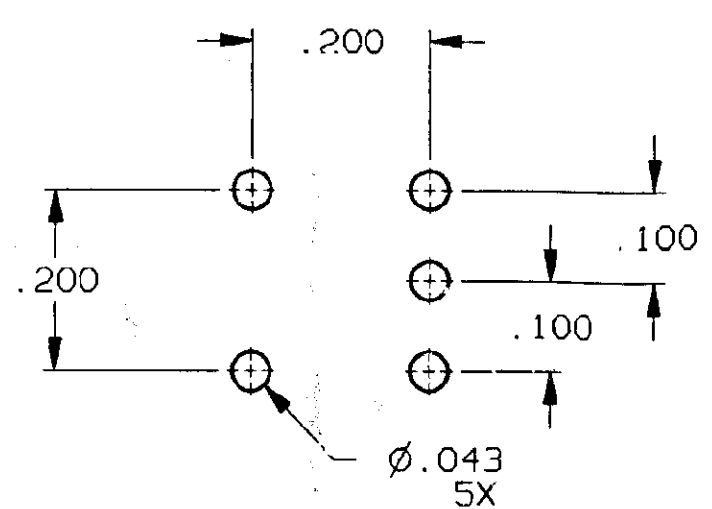
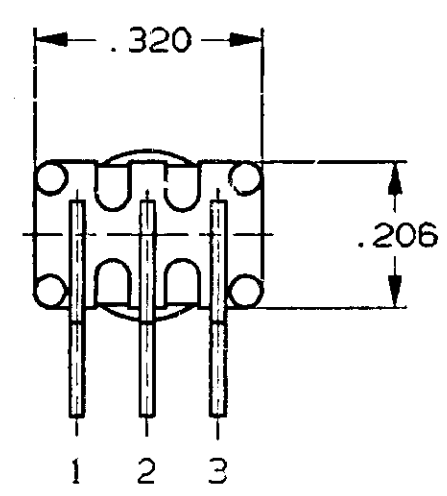
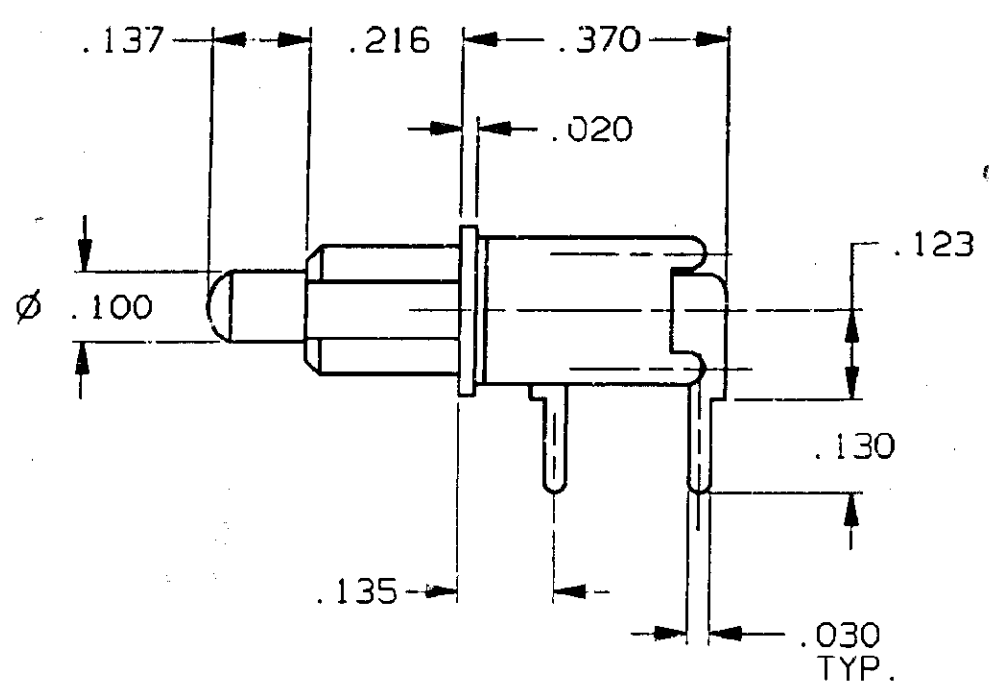
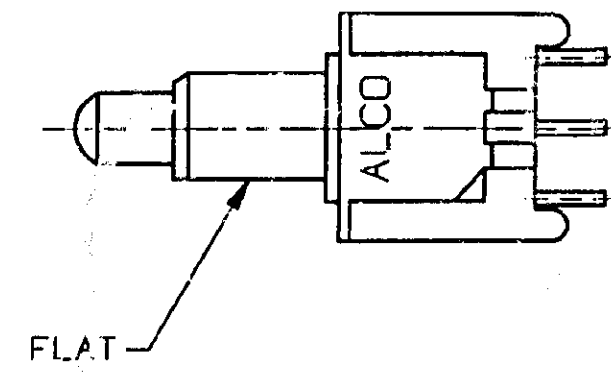
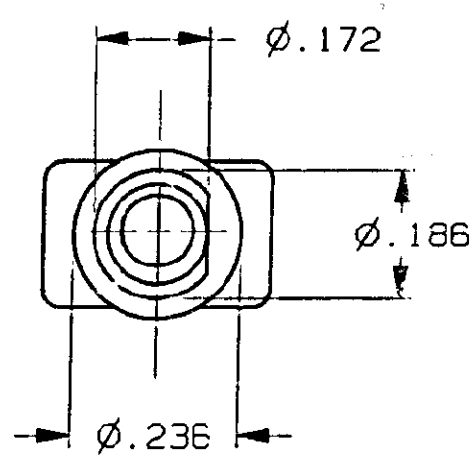
4

3

2

1

CONVERSION CHART	
INCH	MM
.002	0.05
.010	0.25
.020	0.51
.030	0.76
.043	1.09
.100	2.54
.123	3.12
.135	3.43
.137	3.48
.172	4.37
.186	4.72
.200	5.08
.206	5.23
.216	5.49
.236	5.99
.320	8.13
.370	9.39



RECOMMENDED HOLE LAYOUT

TOLERANCE ± .002 UNLESS OTHERWISE NOTED

SPECIFICATIONS:

MATERIALS:
CASE: HIGH TEMPERATURE POLYESTER, UL 94V-0.
ACTUATOR BUTTON: THERMOPLASTIC, COLORS: SEE CHART BELOW.
MOVING CONTACT: COPPER ALLOY, GOLD PLATED.
FIXED CONTACT: COPPER ALLOY, GOLD PLATED.
TERMINALS: COPPER ALLOY, TIN LEAD PLATED.
TERMINAL SEAL: SP EPOXY
DP EPOXY OPTIONAL.

ELECTRICAL:
CONTACT RATING: GOLD = 0.4 VA MAX. • 20 VDC OR PEAK AC.
INITIAL CONTACT RESISTANCE: 20 MILLIOHMS MAX.
INSULATION RESISTANCE: 1,000 MEGOHMS • 500 VDC MIN.
DIELECTRIC STRENGTH: 1,000 V/AC.
LIFE EXPECTANCY: GOLD: 1 POLE = 100,000 CYCLES
2 POLES = 80,000 CYCLES.

MECHANICAL:
ACTUATION FORCE: 50 TO 400g.
ACTUATION TRAVEL: .030 APPROX.

ENVIRONMENTAL:
OPERATING TEMPERATURE: -22°F TO +149°F (-30°C TO +65°C).
STORAGE TEMPERATURE: -22°F TO +149°F (-30°C TO +65°C).

NOTES:

1. INTERPRET DRAWING PER ASME Y14.5M-1994.
2. SUPPLIED WITH MOUNTING HARDWARE.

(*)	BUTTON COLOR
(0)	BLACK
(2)	RED
(6)	BLUE

TERMINALS CONNECTED WITH BUTTON IN POSITIONS SHOWN.		
SWITCH MODEL	FLAT	FLAT
TPB11CG-RA (*)	OFF	3-1 (MOM)
TPB11FG-RA (*)	2-1	2-3 (MOM)

NOTE:
TERMINAL DESIGNATION NUMBERS ARE FOR REFERENCE ONLY AND DO NOT APPEAR ON SWITCHES.

AUGAT D/N 40050

CUSTOMER DRAWING
SPECIFICATIONS ARE SUBJECT TO CHANGES WITHOUT NOTICE

THIS IS A C.A.D. GENERATED DRAWING. DO NOT MAKE MANUAL REVISIONS TO MASTER.

REV	A
REVISIONS	OG3C-0173-02

THIRD ANGLE PROJECTION

TOLERANCES (EXCEPT AS NOTED)
ANGULAR = ±1°
DECIMAL .XX = ±
DECIMAL .XXX = ±.010
DECIMAL .XXXX = ±

AUGAT CONFIDENTIAL
This document contains information which is the exclusive property of Augat Inc. Distribution, reproduction or use by others is not permitted without the expressed written consent of Augat Inc.

UNLESS OTHERWISE SPECIFIED DIMENSIONS ARE IN INCHES DO NOT SCALE PRINT

MATERIAL: SEE ABOVE

FINISH: SEE ABOVE

ORIGINAL DATE OF DRAWING: 2-6-81

DRAWN: V. J. MARTIN DATE: 2-6-81

CHECKED: B. BUCKHEIT DATE: 2-6-81

APPROVED: RICHARD D. DATE: 2-6-81

CODE IDENT. NO. 91506 DWG. SIZE C

NEXT ASSY:

TYCO ELECTRONICS

TITLE: CUSTOMER DRAWING SWITCH, PUSH BUTTON TPB11CG/FG-RA(*)

DWG. NO. **5-1437571-7** REV. **A**

PRODUCT CODE: 851

SCALE: 1 SHEET 1 OF 1