

# SERIES ULP SWITCHES

## PUSHBUTTON SWITCHES - LIGHTED



### SPECIFICATIONS

Contact Rating: Gold, 0.4VA Max @ 28V (AC or DC)  
Silver, 0.5A @ 25VDC; 0.2A @ 250VAC

Life Expectancy (Mechanical): 1,000,000 cycles

Life Expectancy (Electrical): 200,000 cycles silver  
200,000 cycles gold

Contact Resistance: 50mΩ silver, 100mΩ gold (initial max)

Insulation Resistance: 100MΩ @ 500 VDC

Dielectric Strength: 1000VAC for 60 seconds

Actuation Force: 200 ±100 grams SPDT  
300 ±150 grams DPDT

Operating Temperature: -20°C to 70°C

### FEATURES & BENEFITS

- ▶ Positive tactile response
- ▶ Available in illuminated or non-illuminated
- ▶ Many color options available

### APPLICATIONS/MARKETS

- ▶ Telecommunications/Networking
- ▶ Performance audio
- ▶ Instrumentation
- ▶ Low power on/off designs
- ▶ Computers/servers/peripherals

### HOW TO ORDER

SERIES	MODEL	MECHANICAL CONFIGURATION	TERMINATION	CONTACT MATERIAL	CAP STYLE	CAP COLOR	LED #1	LED #2
<b>ULP</b>	<input type="checkbox"/> <input type="checkbox"/>	<input type="checkbox"/> <input type="checkbox"/>	<input type="checkbox"/> <input type="checkbox"/>	<input type="checkbox"/>	<input type="checkbox"/> <input type="checkbox"/>	<input type="checkbox"/> <input type="checkbox"/> <input type="checkbox"/>	<input type="checkbox"/> <input type="checkbox"/> <input type="checkbox"/>	<input type="checkbox"/> <input type="checkbox"/> <input type="checkbox"/>
	12 = SPDT 22 = DPDT	EE = Latching OA = Momentary	P1 = PC pins M1 = Solder lugs*	Q = Silver R = Gold	SS = Square/ Sculptured SF = Square Flat RF = Rectangular Flat PM = Panel Mount LS = Large Sculptured	CL1 = Clear Lens/ White Diffuser OP1 = Black Opaque/ No LED	BLU = Blue GRN = Green RED = Red NIL = No LED	BLU = Blue GRN = Green RED = Red NIL = No LED

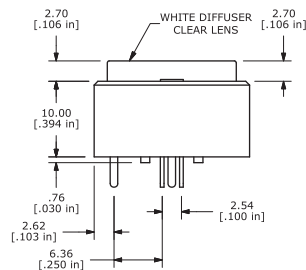
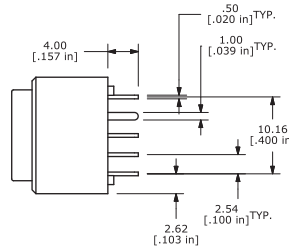
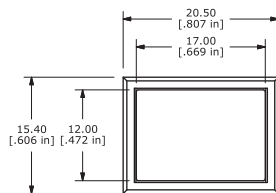
### Example Ordering Number

ULP-12-EE-P1-Q-SF-CL1-RED-GRN

\*Note: PM version only

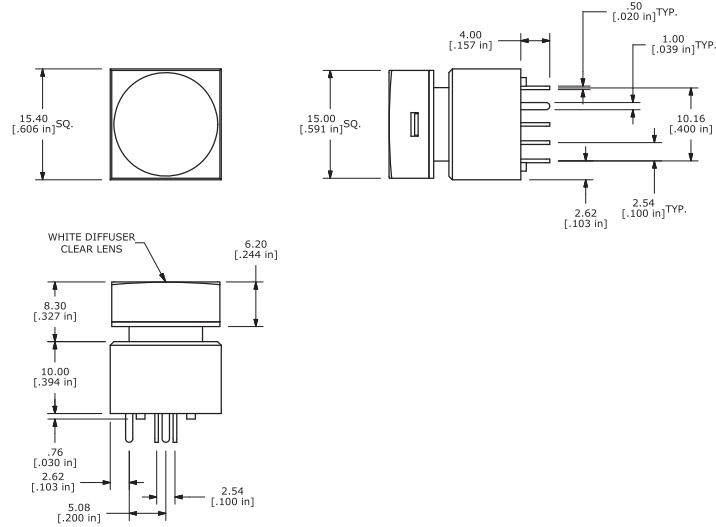
Specifications subject to change without notice.

## RECTANGULAR FLAT

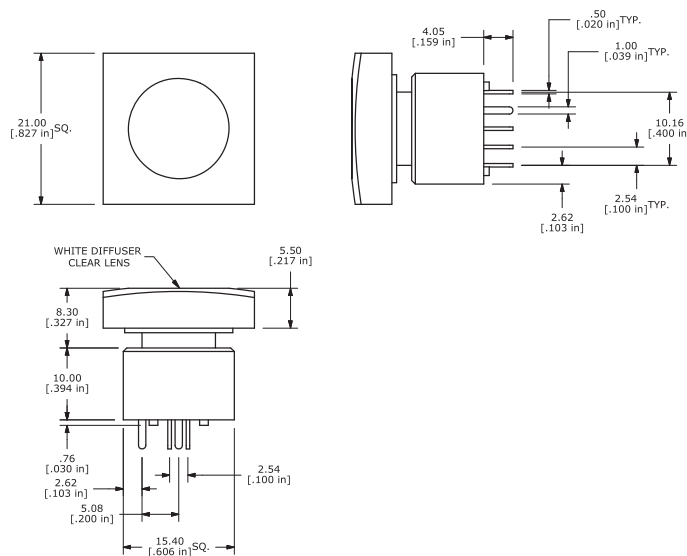




# SQUARE SCULPTURED



# LARGE SCULPTURED



TACT SWITCHES

NAVIGATION SWITCHES

PUSHBUTTON SWITCHES

TOGGLE SWITCHES

ROCKER SWITCHES

SLIDE SWITCHES

SNAP-ACTION SWITCHES

DIP SWITCHES

KEYLOCK SWITCHES

ROTARY SWITCHES

DETECTOR SWITCHES

CAP OPTIONS

# SERIES ULP SWITCHES

## PUSHBUTTON SWITCHES - LIGHTED

TACT  
SWITCHES

NAVIGATION  
SWITCHES

PUSHBUTTON  
SWITCHES

TOGGLE  
SWITCHES

ROCKER  
SWITCHES

SLIDE  
SWITCHES

SNAP-ACTION  
SWITCHES

DIP  
SWITCHES

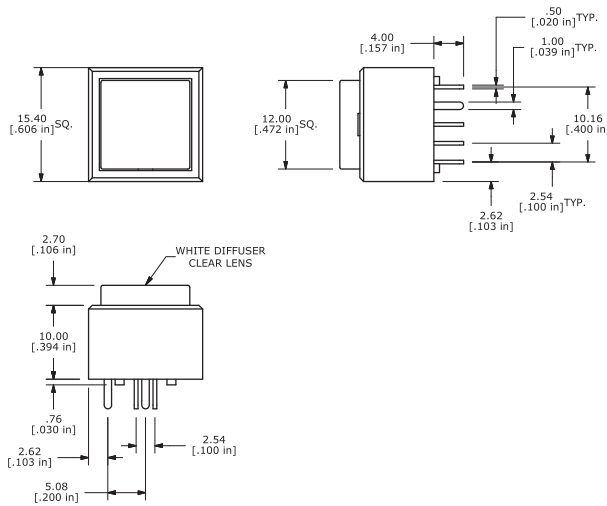
KEYLOCK  
SWITCHES

ROTARY  
SWITCHES

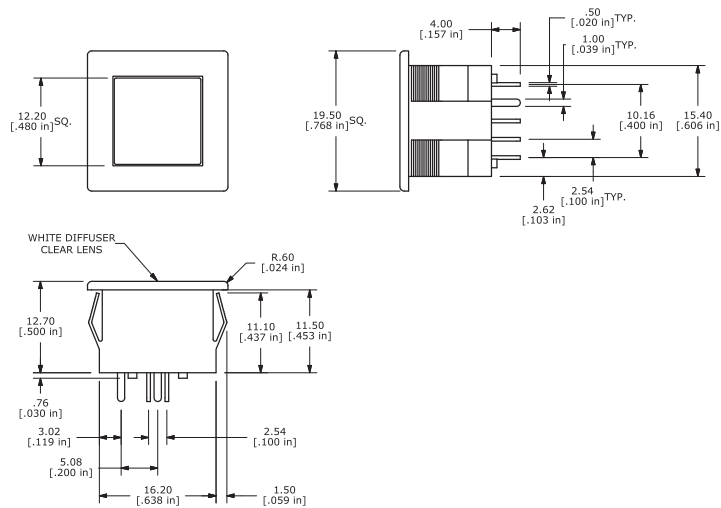
DETECTOR  
SWITCHES

CAP  
OPTIONS

### SQUARE FLAT

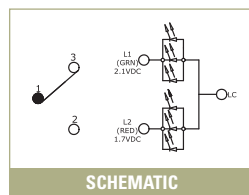
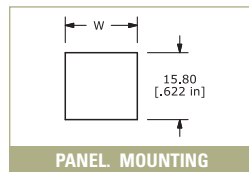
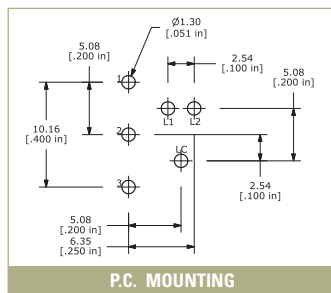


### PANEL MOUNT



### OPTIONS

#### SPDT



#### DPDT

