

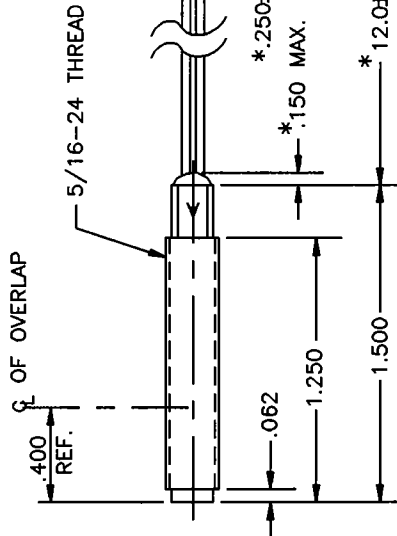
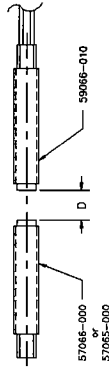
Electrical

CONTACT TYPE
 CONTACT RATING, MAX.
 SWITCHING VOLTAGE, MAX.
 SWITCHING CURRENT, MAX.
 CARRY CURRENT, MAX.
 CONTACT RESISTANCE INCLUDING LEADS, MAX.
 BREAKDOWN VOLTAGE, MIN.

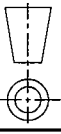
FORM A
 10 WATTS
 200 VDC
 0.5 AMPS
 1.2 AMPS
 200 mΩ
 250 VDC

Physical

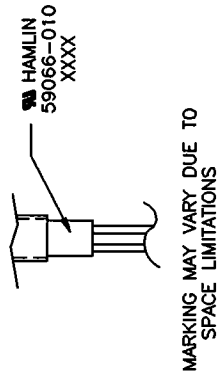
BLACK UL 94V-0 POLYESTER
 BLACK EPOXY
 24 AWG PVC UL1569 BLACK
 57066-000 or 57065-000
 .150" MIN.
 .800" MAX.



* KEY ASSEMBLY DIMENSIONS
 CAPSULE TOLERANCES: ±.010 (0.25) UNLESS NOTED



Print Detail



© HAMLIN, Incorporated
 2003

This design and print is copyright and is the property of HAMLIN, Inc. It must not be copied or permitted to be copied, nor may its contents be divulged to any third party without prior written permission from the company.

59066-010 SENSOR			
AC	UPDATE TO NEW FORMAT	BJE	DATE
	A7340	BJE	7/27/98
		BJE	8/12/98
REV.	DESCRIPTION OF REVISION	DCR No.	DATE

HAMLIN, Inc.		DCR No. 1220	
Dwn.	DRR	DATE	
		4/19/88	D10-59066-010
App'd	DRR	DATE	
		6/24/88	Page 1 of 1