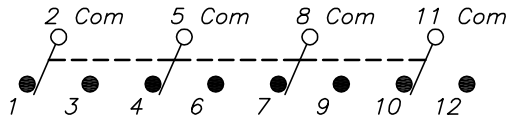


RECOMMENDED P.C.B. LAYOUT  
SCALE 1X



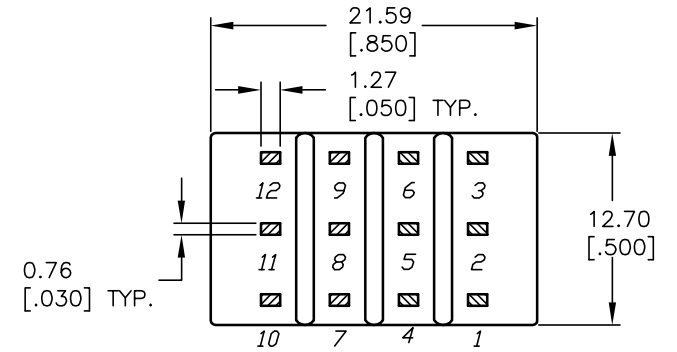
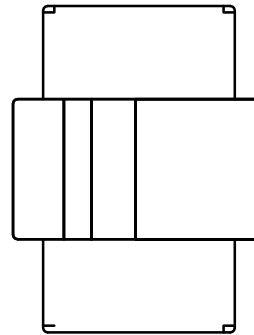
CIRCUIT: 4PDT

SWITCH FUNCTION		
PDS. 1	PDS. 2	PDS. 3
ON	NONE	C/DN
2-3,5-6 8-9,11-12	OPEN	2-1, 5-4 8,7 11-10

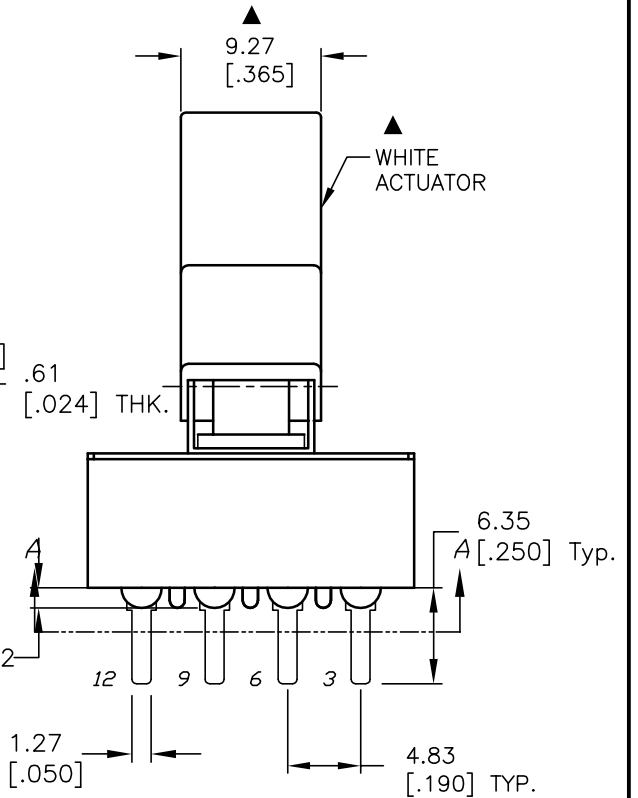
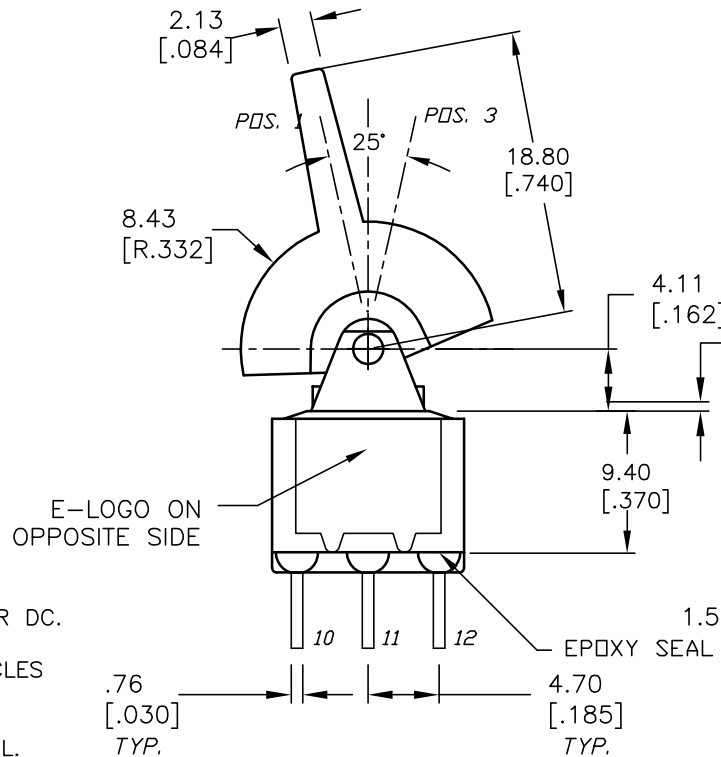
C/DN = MOMENTARY

NOTES:

1. ALL DIMENSIONS IN MM [INCH]
2. GENERAL TOLERANCE: X.X=±0.4  
X.XX=±0.25
3. TERM. NOS. FOR REF. ONLY
4. RATING: 0.4 VOLT-AMPS MAX. @20V MAX. AC OR DC.
- ▲ 5. CONTACT MATERIAL: GOLD PLATING.
6. ELECTRICAL LIFE: 50,000 MAKE-AND-BREAK CYCLES AT FULL LOAD.
7. INSULATION RESISTANCE: 1,000M OHM MIN.
8. DIELECTRIC STRENGTH: 1,000 V RMS @SEA LEVEL.
9. OPERATING TEMP.: -30°C to 85°C
10. ▲ DENOTES CRITICAL PARAMETER.



SECTION A-A



**E-SWITCH®**

TITLE				
3004P2J2WHTM2RE				
SCALE	DATE	DR	DWG	REV
2:1	7/16/04	AR	T346012	A

A	14169	RELEASED FOR PRODUCTION	7/16/04	AR
REV.	ECN No.	DESCRIPTION	DATE	CHKD

THE INFORMATION CONTAINED IN THIS DOCUMENT IS PROPRIETARY TO E-SWITCH AND IS NOT TO BE COPIED OR TRANSFERRED