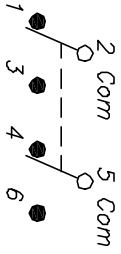


RECOMMENDED P.C. LAYOUT



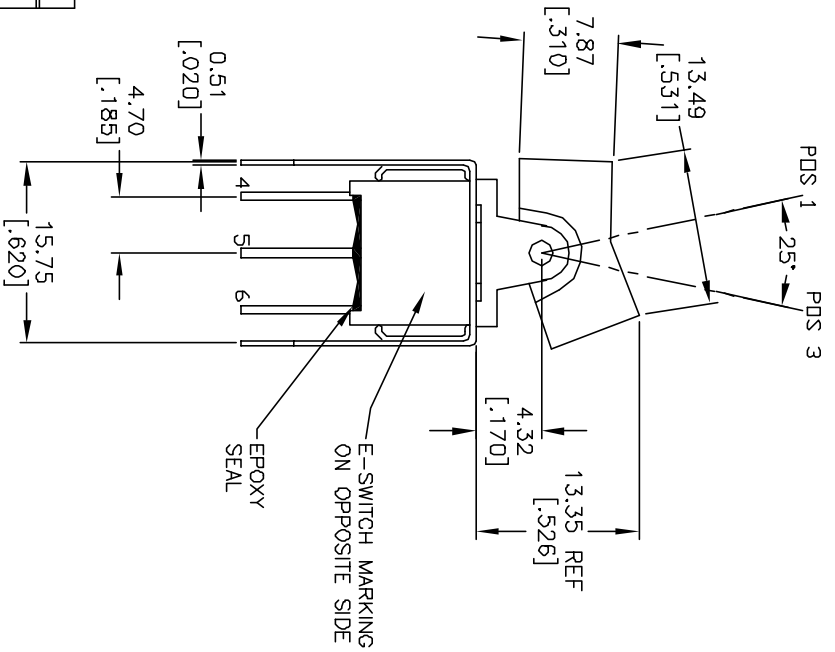
CIRCUIT: DPDT

CONTACT CONFIGURATION

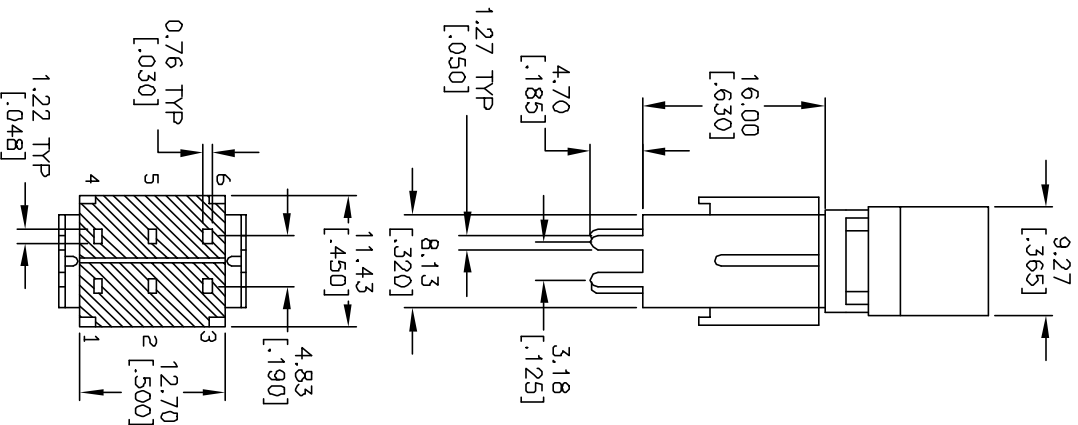
SWITCH FUNCTION		
POS. 1	POS. 2	POS. 3
DN	NDNE	DN
2-3, 5-6	DPEN	2-1, 5-4

NOTES:

1. ALL DIMENSIONS IN MM [INCH]
2. GENERAL TOLERANCE: X.X=±0.4
X.XX=±0.25
3. TERM. NOS. FOR REF. ONLY
4. CONTACT RATING: 0.4 VA MAX. @ 20 VAC OR DC MAX
5. FIXED TERMINAL & MOVING CONTACT:
COPPER ALLOY W/ GOLD PLATE OVER NICKEL PLATE
ELECTRIC LIFE: 30,000 make-and-break cycles
at full load.
6. INSULATION RESISTANCE: 1,000 MΩ MIN.
7. DIELECTRIC STRENGTH: 1,000 V RMS @sea level.
8. OPERATING TEMP.: -30°C to 85°C



E-SWITCH MARKING
ON OPPOSITE SIDE
EPOXY SEAL



E-SWITCH®

REV.	ECN No.	DESCRIPTION	DATE	CHKD
A	11731	RELEASED FOR PRODUCTION	10/11/01	CJC

TITLE	SCALE	DATE	DR	DWG	REV
3004 WDP1 J1 VS3 R E	1.5:1	10/11/01	CJB	T301024	A

THE INFORMATION CONTAINED IN THIS DOCUMENT IS PROPRIETARY TO E-SWITCH AND IS NOT TO BE COPIED OR TRANSFERRED