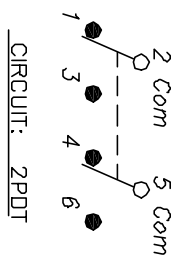


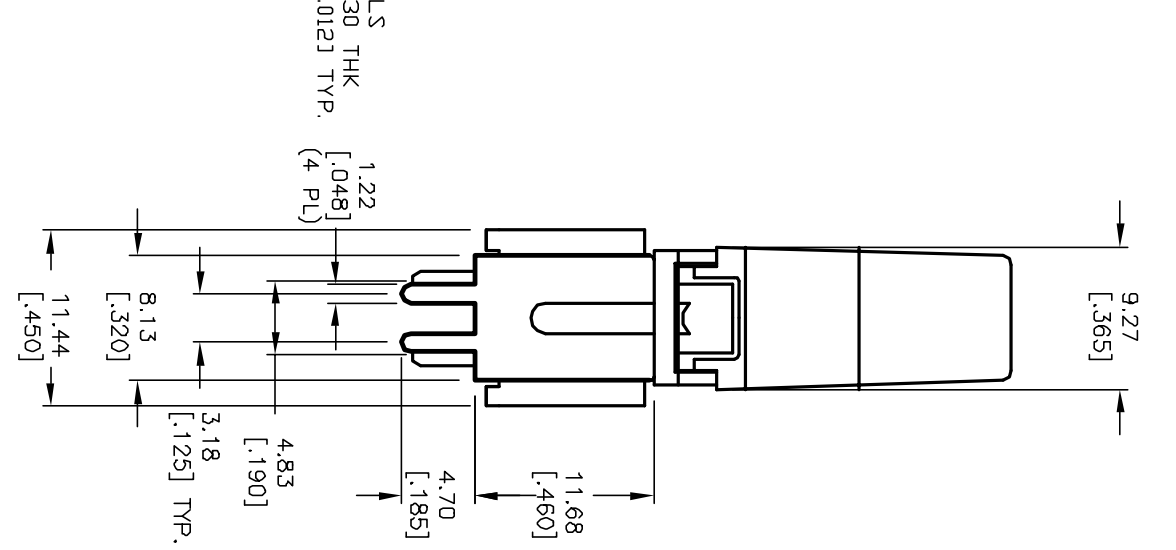
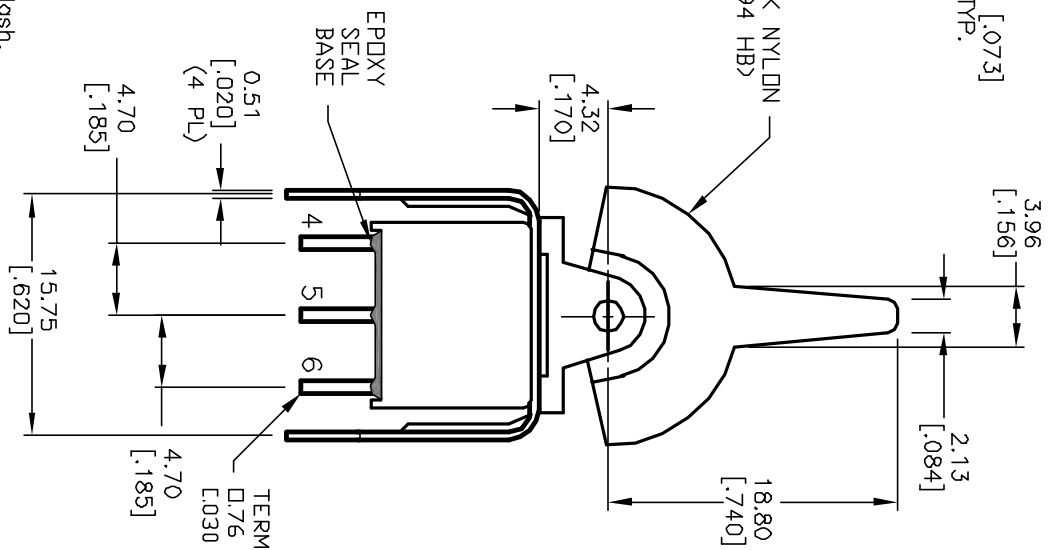
RECOMMENDED P.C.B. LAYOUT



| SWITCH FUNCTION | | |
|-----------------|--------|---------|
| PDS. 1 | PDS. 2 | PDS. 3 |
| | | |
| (DN) | DNF | (DN) |
| 2-3,5-6 | OPEN | 2-1,5-4 |

() =Momentary

- NOTES:
1. ALL DIMENSIONS IN MM [INCH]
 2. GENERAL TOLERANCE: X.X=±0.4 X.XX=±0.25
 3. TERM. NOS. FOR REF. ONLY
 4. RATING: 5A @120VAC OR 28VDC; 2A @250VAC
 5. MATERIAL: FIXED TERMINAL & MOVING CONTACT
Copper Alloy w/SILVER PLATE over Gold flash.
 6. CONTACT RESISTANCE: 10mILLI Ohms max initial @2-4VDC, 100mA for AG & AU
 7. ELECTRICAL LIFE: 30,000 make-and-break cycles at full load.
 8. INSULATION RESISTANCE: 1,000M ohm min.
 9. DIELECTRIC STRENGTH: 1000V RMS @sed level
 10. OPERATING TEMP.: -30°C to 85°C



E-SWITCH®

| | | | | | | | | | |
|--|---------|-------------------------|---------|------|-----------------------|---------|-----|---------|-----|
| REV. | ECN No. | DESCRIPTION | DATE | CHKD | SCALE | DATE | DR | DWG | REV |
| A | 12224 | RELEASED FOR PRODUCTION | 6/12/02 | CJB | 2:1 | 6/12/02 | CJB | T302008 | A |
| TITLE | | | | | 3004 WDP-4 J2 VSS Q E | | | | |
| THE INFORMATION CONTAINED IN THIS DOCUMENT IS PROPRIETARY TO E-SWITCH AND IS NOT TO BE COPIED OR TRANSMITTED | | | | | | | | | |