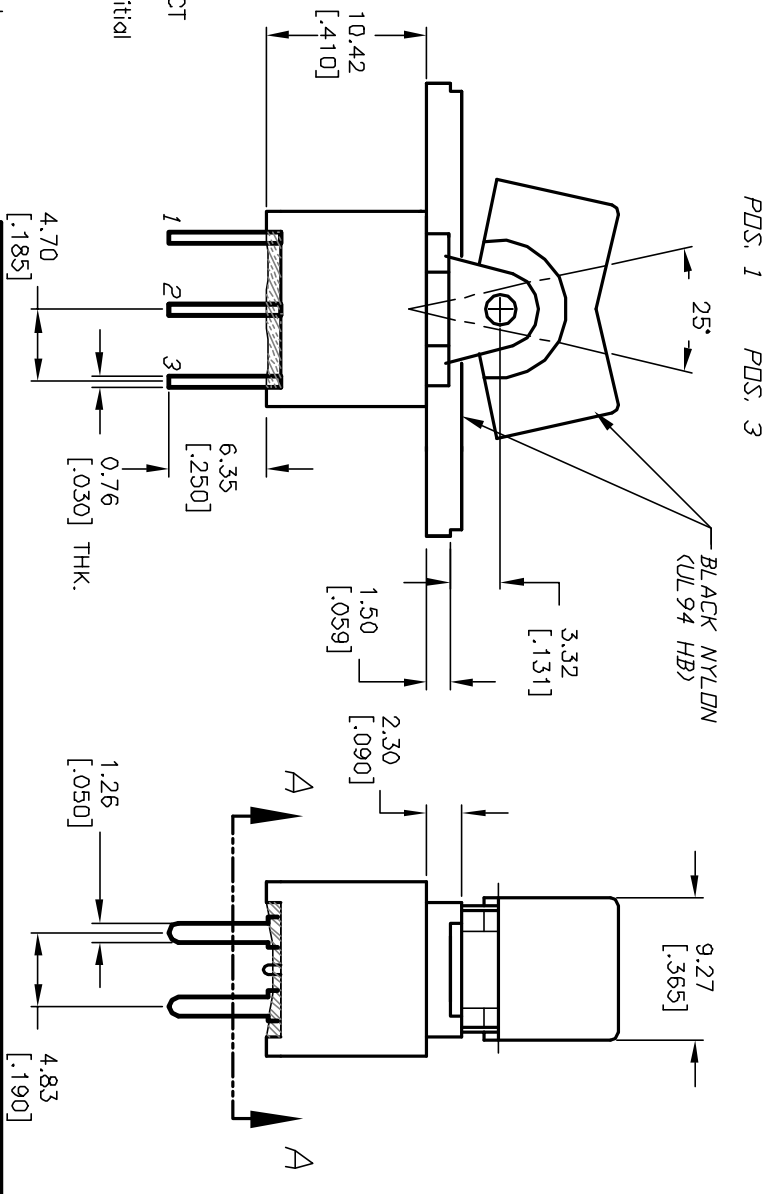


SWITCH FUNCTION			
PDS. 1	PDS. 2	PDS. 3	
(DN)	OFF	(DN)	
2-3-5-6	OPEN	2-1-5-4	

NOTES: ( ) = DIMMENTARY

1. ALL DIMENSIONS IN MM [INCH]
2. GENERAL TOLERANCE: X.X=±0.4 X.XX=±0.25
3. TERM. NOS. FOR REF. ONLY
4. RATING: 5A @120VAC OR 29VDC 2A @250VAC
5. MATERIAL: FIXED TERMINAL & MOVING CONTACT  
Copper Alloy w/SILVER PLATE
6. CONTACT RESISTANCE: 10mILLI Ohms max initial @2-4VDC, 100mA for AG & AU
7. ELECTRICAL LIFE: 30,000 make-and-break cycles at full load.
8. INSULATION RESISTANCE: 1,000M ohm min.
9. DIELECTRIC STRENGTH: 1000V RMS @sea level
10. OPERATING TEMP.: -30°C to 85°C



REV.	ECN No.	DESCRIPTION	DATE	CHKD	SCALE	DATE	DR	DWG	REV
A	12841	RELEASED FOR PRODUCTION	2/26/03	CB	2:1	2/26/03	CB	T302412	A
TITLE					3004 WDP-4 R1 M2 Q E				
THE INFORMATION CONTAINED IN THIS DOCUMENT IS PROPRIETARY TO E-SWITCH AND IS NOT TO BE COPIED OR TRANSFERRED					E-SWITCH®				