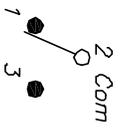


RECOMMENDED PCB LAYOUT

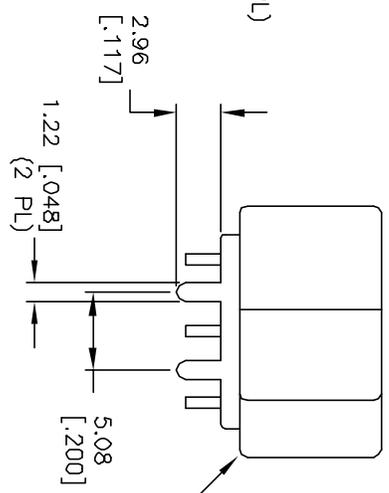


CIRCUIT: SPST

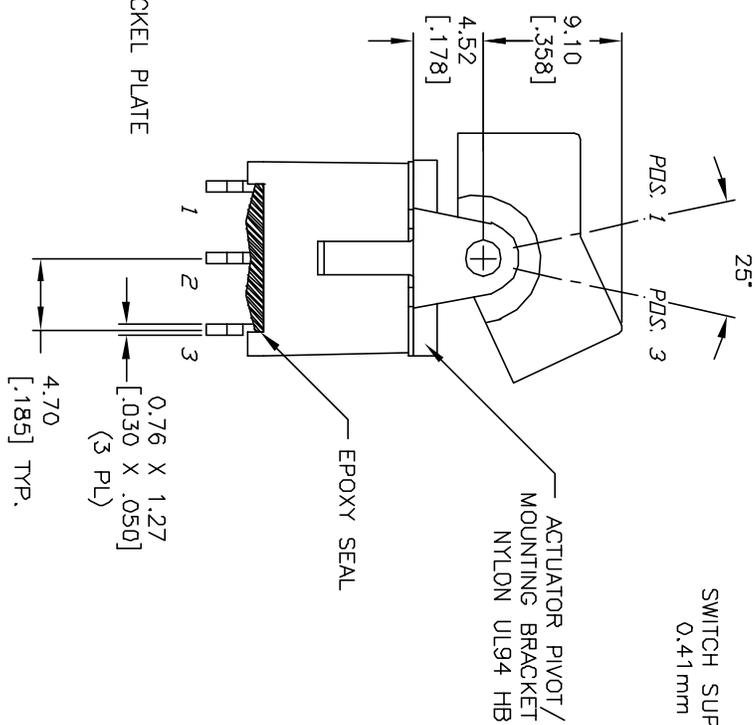
SWITCH FUNCTION			
PDS: 1	PDS: 2	PDS: 3	
DN	NONE	DN	
2-3	OPEN	2-1	

NOTES:

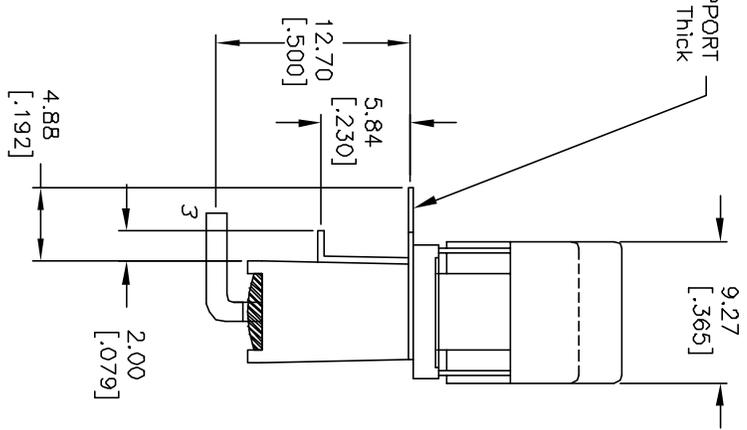
1. ALL DIMENSIONS IN MM [INCH]
2. GENERAL TOLERANCE: X.X=±0.4  
X.XX=±0.25
3. TERM. NOS. FDR REF. ONLY
4. RATING: 0.4 VA MAX. @ 20V MAX AC OR DC
5. MATERIAL: FIXED TERMINAL & MOVING CONTACT COPPER ALLOY W/ GOLD PLATE OVER NICKEL PLATE
6. CONTACT RESISTANCE: 10mILLI Ohms max initial @2-4VDC, 100mA for AG & AU
7. ELECTRICAL LIFE: 30,000 make-and-break cycles at full load.
8. INSULATION RESISTANCE: 1,000M ohm min.
9. DIELECTRIC STRENGTH: 1000V RMS @sea level
10. OPERATING TEMP.: -30°C to 85°C



BLACK ACTUATOR NYLON UL94 HB



ACTUATOR PIVOT / MOUNTING BRACKET NYLON UL94 HB



SWITCH SUPPORT 0.41mm Thick



REV.	ECN No.	DESCRIPTION	DATE	CHKD	SCALE	DATE	DR	DWG	REV
A	11731	RELEASED FOR PRODUCTION	10/11/01	CJC	2:1	10/11/01	CJC	T301029	A
TITLE					300A WSP-1 J1 BLK M6 R E				
THE INFORMATION CONTAINED IN THIS DOCUMENT IS PROPRIETARY TO E-SWITCH AND IS NOT TO BE COPIED OR TRANSFERRED									