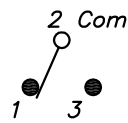


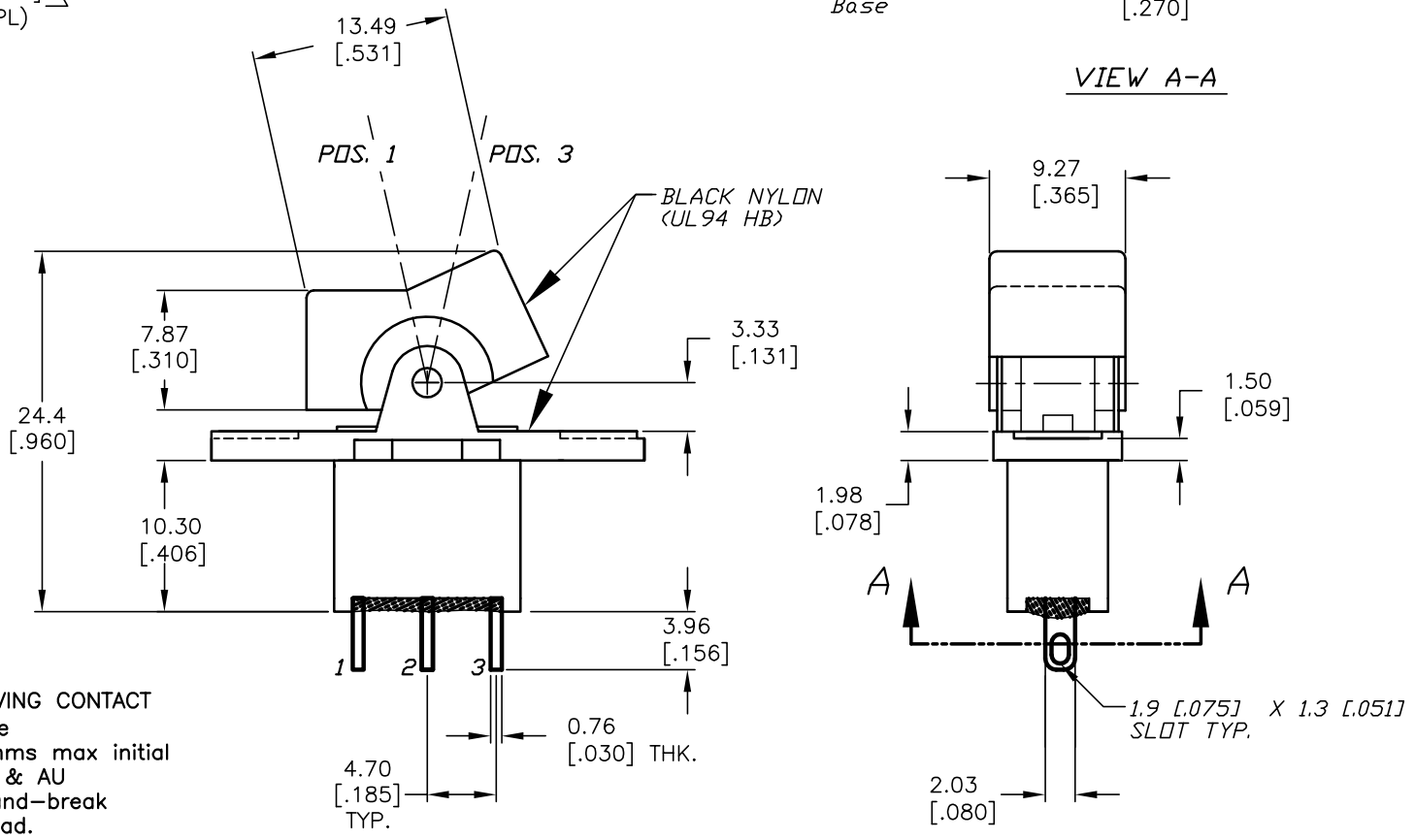
RECOMMENDED PANEL MOUNT



CIRCUIT: SPST

SWITCH FUNCTION		
PDS. 1	PDS. 2	PDS. 3
ON	NONE	ON
2-3	OPEN	2-1

VIEW A-A



- NOTES:
- ALL DIMENSIONS IN MM [INCH]
 - GENERAL TOLERANCE: X.X=±0.4
X.XX=±0.25
 - TERM. NOS. FOR REF. ONLY
 - RATING: 5A @120VAC or 28VDC
2A @250VAC
 - MATERIAL: FIXED TERMINAL & MOVING CONTACT
Copper Alloy w/Silver plate
 - CONTACT RESISTANCE: 10mILLI Ohms max initial
@2-4VDC, 100mA for AG & AU
 - ELECTRICAL LIFE: 30,000 make-and-break
cycles at full load.
 - INSULATION RESISTANCE: 1,000M ohm min.
 - DIELECTRIC STRENGTH: 1000V RMS @sea level
 - OPERATING TEMP.: -30°C to 85°C

E-SWITCH®

TITLE	300AWSP2R1BLKM1QE								
SCALE	2:1	DATE	12/5/03	DR	AR	DWG	T301201	REV	A

A	13642	RELEASED FOR PRODUCTION	12/5/03	AR
REV.	ECN No.	DESCRIPTION	DATE	CHKD

THE INFORMATION CONTAINED IN THIS DOCUMENT IS PROPRIETARY TO E-SWITCH AND IS NOT TO BE COPIED OR TRANSFERRED