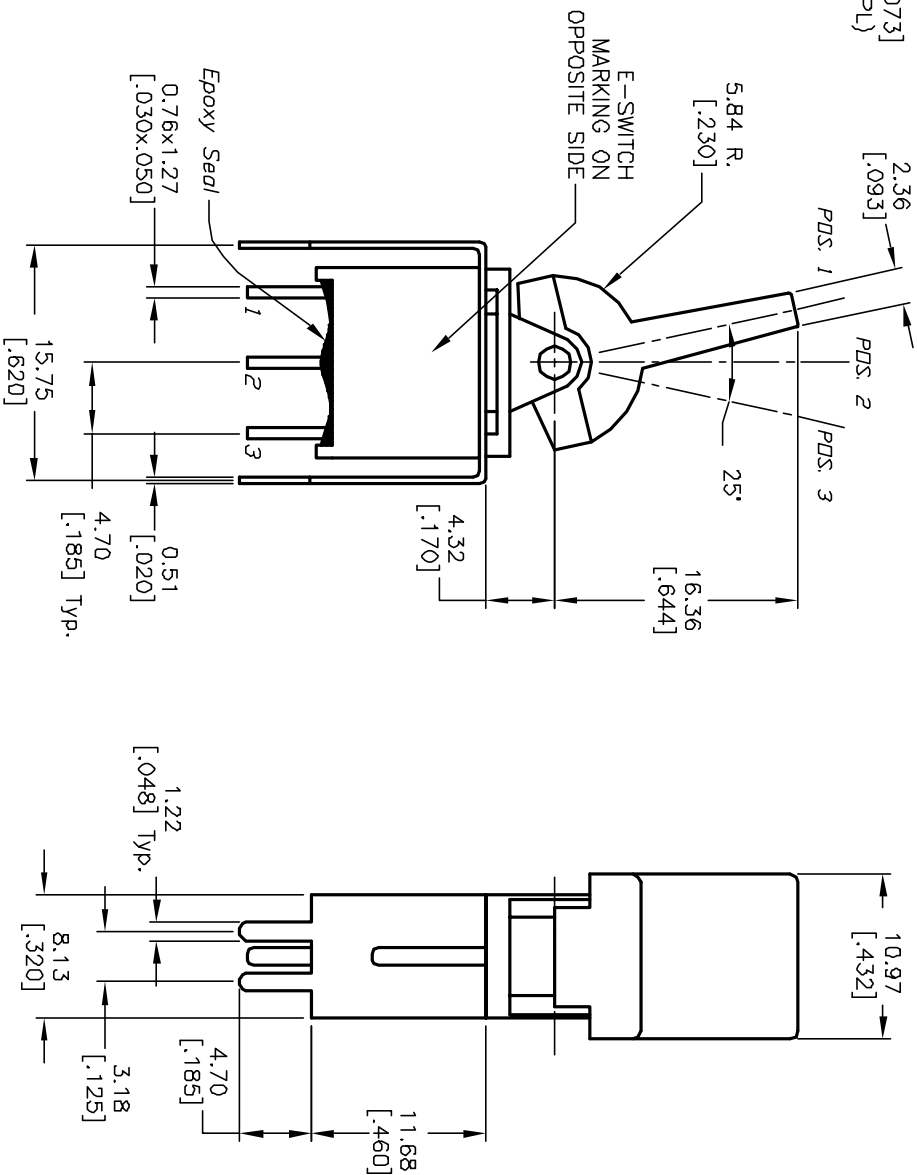


CIRCUIT: SPDT

SWITCH FUNCTION		
POS. 1	POS. 2	POS. 3
DN	OFF	DN
2-3	OPEN	2-1

NOTES:

1. ALL DIMENSIONS IN MM [INCH]
2. GENERAL TOLERANCE: X.X=±0.4 X.XX=±0.25
3. TERM. NOS. FOR REFERENCE ONLY.
4. RATING: 5A @120V AC or 28VDC 2A @250V AC
5. FIXED TERMINAL/MOVING CONTACT:
COPPER ALLOY W/SILVER PLATING
6. ELECTRICAL LIFE: 30,000 mcke & break CYCLES @FULL LOAD.
7. INSULATION RESISTANCE: 1000MEGA-OHMS min.
8. DIELECTRIC STRENGTH: 1000V RMS@ SEA LEVEL
9. OPERATING TEMPERATURE: -30°C to +85°C
10. ROCKER MATERIAL: NYLON BLACK STD. (UL94HB)



RECOMMENDED P.C.B. LAYOUT

REV.	ECN No.	DESCRIPTION	DATE	CHKD
A	12836	RELEASED FOR PRODUCTION	2/25/03	--

TITLE	SCALE	DATE	DR	DWG	REV
3004 WSP-3 J6 V52 Q E	2:1	2/25/03	--	T301302	A

E-SWITCH®

THE INFORMATION CONTAINED IN THIS DOCUMENT IS PROPRIETARY TO E-SWITCH AND IS NOT TO BE COPIED OR TRANSMITTED