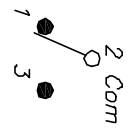


2.39±0.1 [1.106]
HOLE (2 PL)

RECOMMENDED PANEL MOUNT

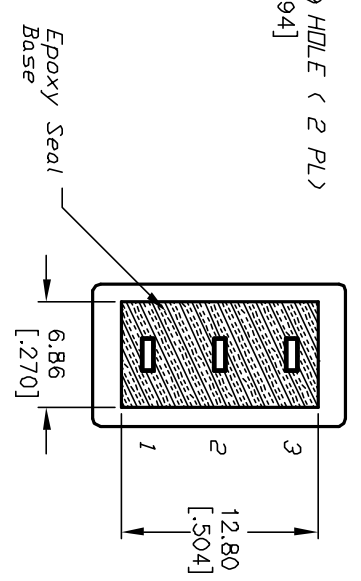
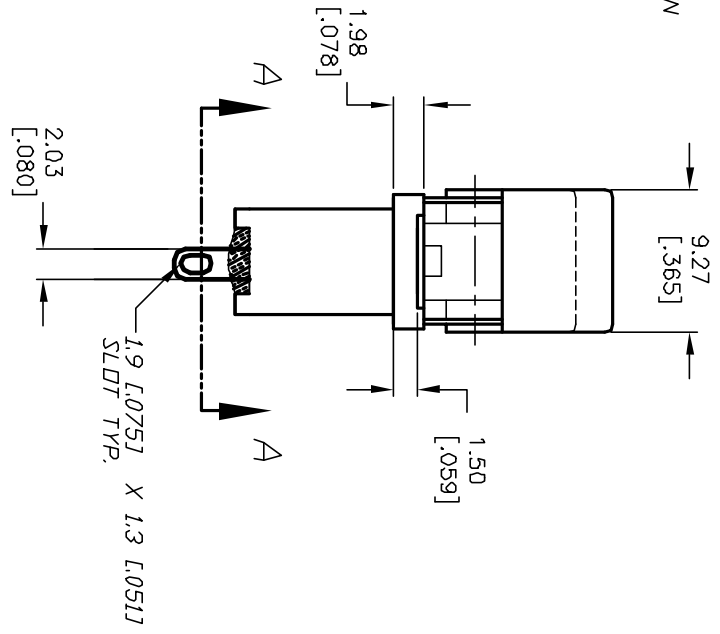
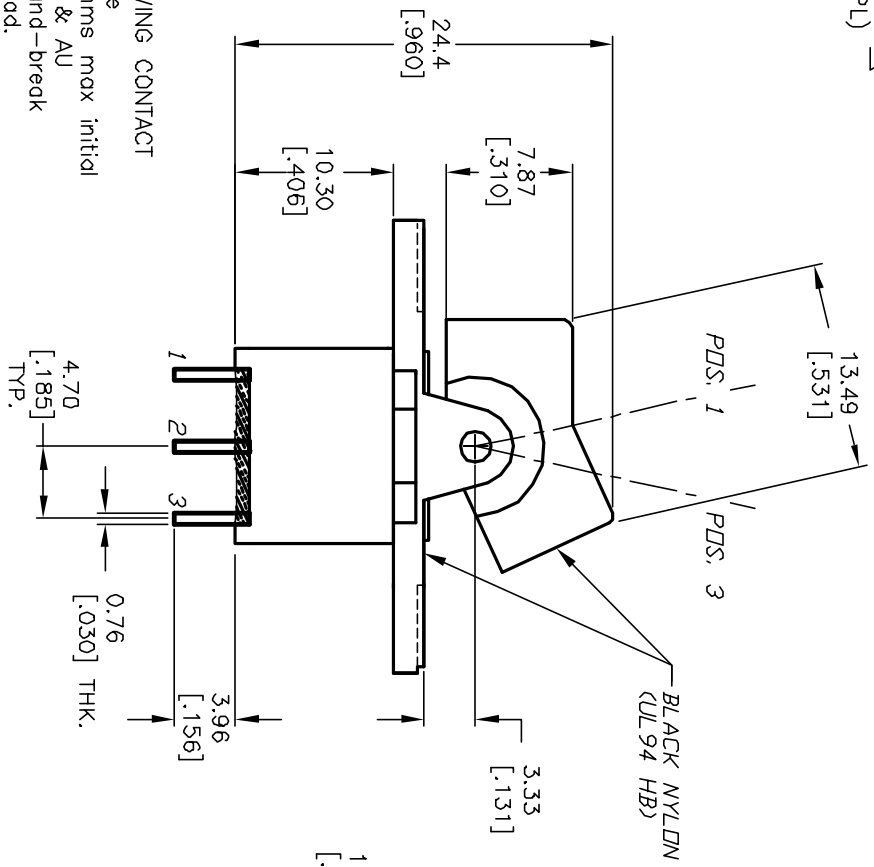


CIRCUIT: SPST

SWITCH FUNCTION		
PDS. 1	PDS. 2	PDS. 3
2-3	DN	2-1

NOTES:

1. ALL DIMENSIONS IN MM [INCH]
2. GENERAL TOLERANCE: X.X=±0.4 X.XX=±0.25
3. TERM. NOS. FOR REF. ONLY
4. RATING: 5A @120VAC or 28VDC 2A @250VAC
5. MATERIAL: FIXED TERMINAL & MOVING CONTACT
Copper Alloy w/Silver plate
6. CONTACT RESISTANCE: 10mILL Ohms max initial @2-4VDC, 100mA for AG & AU
7. ELECTRICAL LIFE: 30,000 make-and-break cycles at full load.
8. INSULATION RESISTANCE: 1,000M ohm min.
9. DIELECTRIC STRENGTH: 1000V RMS @sea level
10. OPERATING TEMP.: -30°C to 85°C



VIEW A-A

REV.	ECN No.	DESCRIPTION	DATE	CHKD
A	12681	RELEASED FOR PRODUCTION	1/3/03	CB

TITLE	SCALE	DATE	DR	DWG	REV
300A WSP-3 R1 M1 Q E	2:1	12/30/02	CB	T301312	A

E-SWITCH®

THE INFORMATION CONTAINED IN THIS DOCUMENT IS PROPRIETARY TO E-SWITCH AND IS NOT TO BE COPIED OR TRANSFERRED