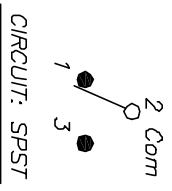


2.39±0.1 [.106]
HOLE (2 PL)

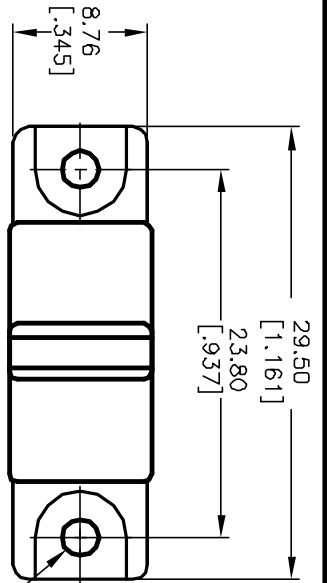
RECOMMENDED PANEL MOUNT



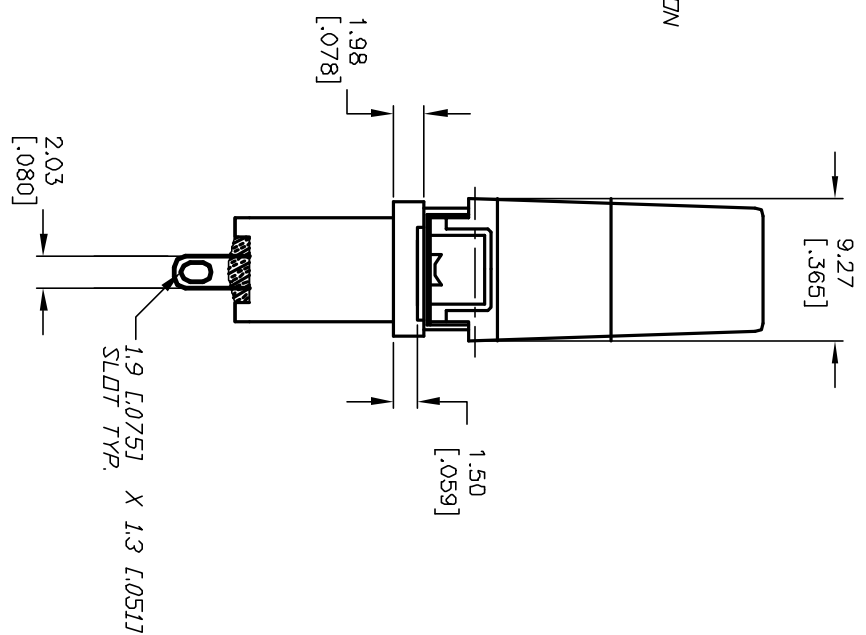
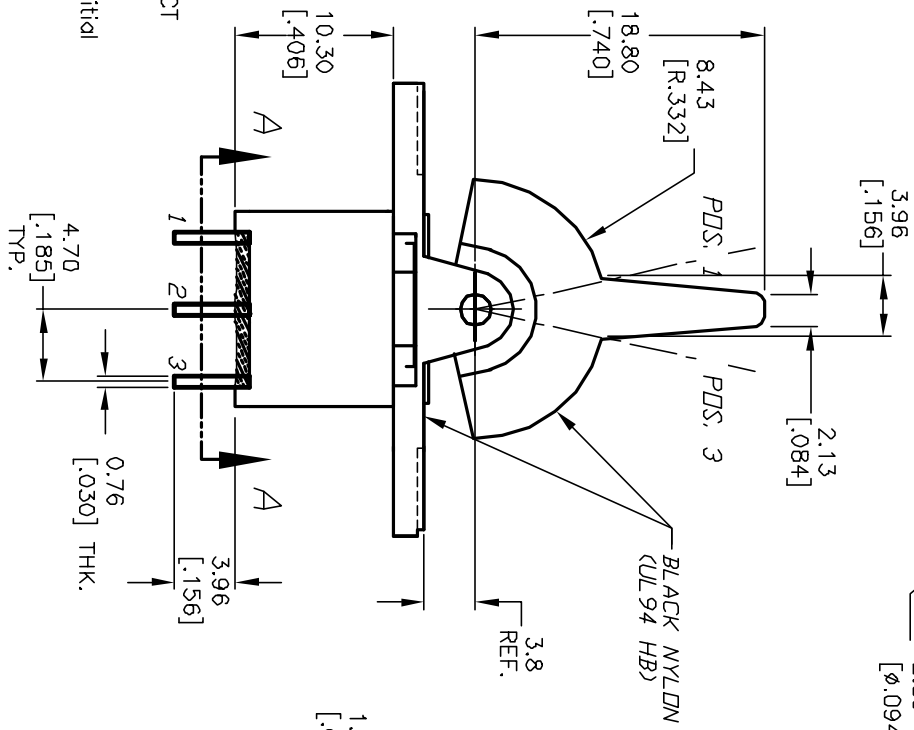
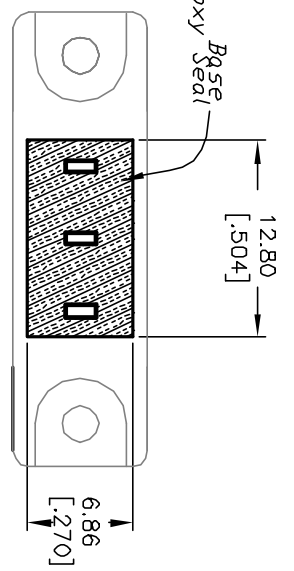
SWITCH FUNCTION		
PDS. 1	PDS. 2	PDS. 3
2-3	DN	2-1

NOTES:

1. ALL DIMENSIONS IN MM [INCH]
2. GENERAL TOLERANCE: X.X=±0.4
X.XX=±0.25
3. TERM. NOS. FOR REF. ONLY
4. RATING: 0.4VA @20V AC max
5. MATERIAL: FIXED TERMINAL & MOVING CONTACT
Copper Alloy w/Gold plate over
Nickel plate.
6. CONTACT RESISTANCE: 10mILLI Ohms max initial
@2-4VDC, 100mA for AG & AU
7. ELECTRICAL LIFE: 30,000 make-and-break
cycles at full load.
8. INSULATION RESISTANCE: 1,000M ohm min.
9. DIELECTRIC STRENGTH: 1000V RMS @sea level
10. OPERATING TEMP.: -30°C to 85°C



2.39
[.094]



REV.	ECN No.	DESCRIPTION	DATE	CHKD
A	12830	RELEASED FOR PRODUCTION	2/25/03	CB

TITLE	SCALE	DATE	DR	DWG	REV
300A WSP-3 R2 M1 R E (GOLD CONTACTS)	2:1	2/25/03	CB	T301315	A

E-SWITCH®

THE INFORMATION CONTAINED IN THIS DOCUMENT IS PROPRIETARY TO E-SWITCH AND IS NOT TO BE COPIED OR TRANSFERRED