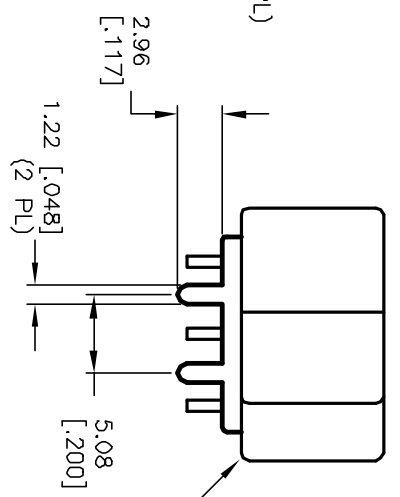
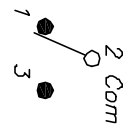


RECOMMENDED PCB LAYOUT



BLACK ACTUATOR  
NYLON UL94 HB

\*\*SHOWN IN MOMENTARY  
POSITION FOR OVERALL  
HEIGHT

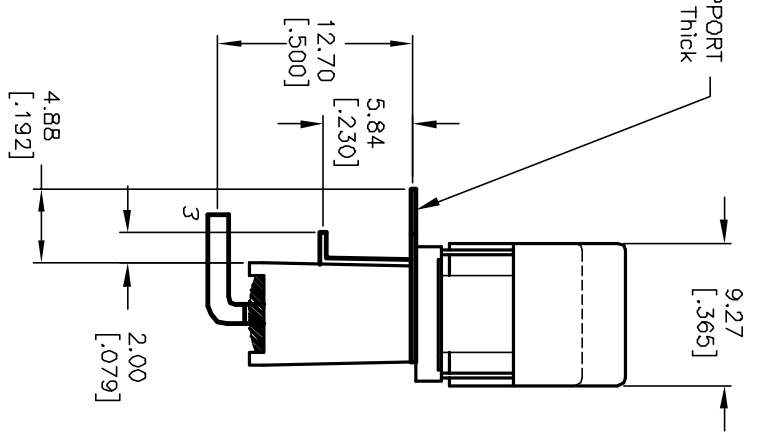
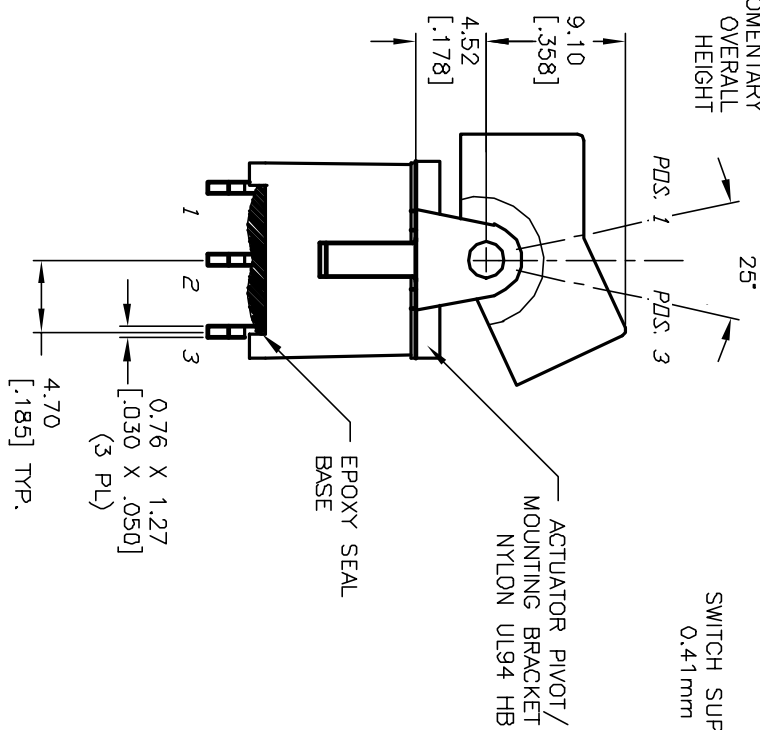


CIRCUIT: SPST

SWITCH FUNCTION		
PDS: 1	PDS: 2	PDS: 3
(CND)	(OFF)	(CND)
2-3	OPEN	2-1

( ) =Momentary

- NOTES:
1. ALL DIMENSIONS IN MM [INCH]
  2. GENERAL TOLERANCE: X.X=±0.4 X.XX=±0.25
  3. TERM. NOS. FDR REF. ONLY
  4. RATING: 5A @120VAC OR 28VDC 2A @250VAC
  5. MATERIAL: FIXED TERMINAL & MOVING CONTACT  
Copper Alloy w/Silver Plate
  6. CONTACT RESISTANCE: 10mILLI Ohms max initial @2-4VDC, 100mA for AG & AU
  7. ELECTRICAL LIFE: 30,000 make-and-break cycles at full load.
  8. INSULATION RESISTANCE: 1,000M ohm min.
  9. DIELECTRIC STRENGTH: 1000V RMS @sea level
  10. OPERATING TEMP.: -30°C to 85°C



REV.	ECN No.	DESCRIPTION	DATE	CHKD
A	12098	RELEASED FOR PRODUCTION		

TITLE	SCALE	DATE	DR	DWG	REV
3004 WSP-4 J1 BLK MG Q E	2:1	4/29/02	CB	T301426	A



THE INFORMATION CONTAINED IN THIS DOCUMENT IS PROPRIETARY TO E-SWITCH AND IS NOT TO BE COPIED OR TRANSMITTED