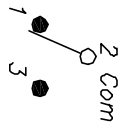


RECOMMENDED P.C.B. LAYOUT

\*\*SHOWN IN MOMENTARY POSITION FOR OVERALL HEIGHT

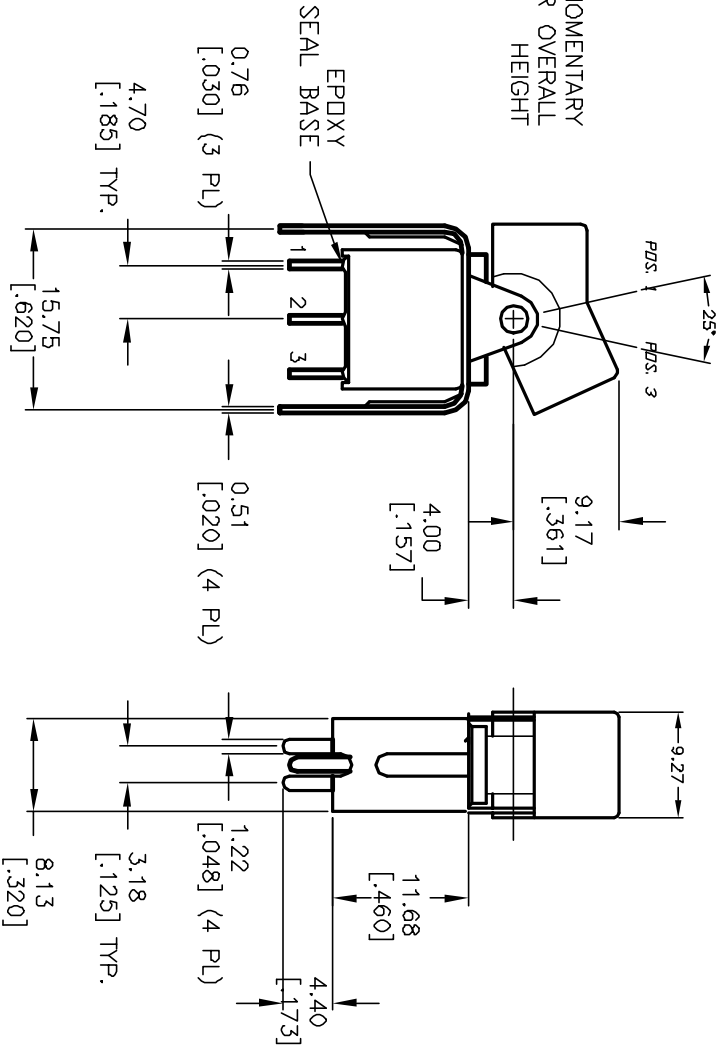


CIRCUIT: SPST

SWITCH FUNCTION		
POS. 1	POS. 2	POS. 3
<DN>	OFF	<DN>
2-3	OPEN	2-1

NOTES: ( ) = Momentary

- ALL DIMENSIONS IN MM [INCH]
- GENERAL TOLERANCE: X.X=±0.4 X.XX=±0.25
- TERM. NOS. FOR REF. ONLY
- RATING: 5A @120VAC OR 28VDC 2A @250VAC
- MATERIAL: FIXED TERMINAL & MOVING CONTACT  
Copper Alloy w/Silver Plate
- CONTACT RESISTANCE: 10mILLI Ohms max initial @2-4VDC, 100mA for AG & AU
- ELECTRICAL LIFE: 30,000 make-and-break cycles at full load.
- INSULATION RESISTANCE: 1,000M ohm min.
- DIELECTRIC STRENGTH: 1000V RMS @sea level
- OPERATING TEMP.: -30°C to 85°C
- ACTUATOR: COLOR: BLACK NYLON UL94HB



**E-SWITCH®**

A	12303	RELEASED	7/11/02	CJB
REV.	ECN No.	DESCRIPTION	DATE	CHKD

TITLE	3004 WSP-4 J1 V52 Q E	SCALE	2:1	DATE	7/11/02	DR	CJB	DWG	T301430	REV	A
-------	-----------------------	-------	-----	------	---------	----	-----	-----	---------	-----	---

THE INFORMATION CONTAINED IN THIS DOCUMENT IS PROPRIETARY TO E-SWITCH AND IS NOT TO BE COPIED OR TRANSMITTED