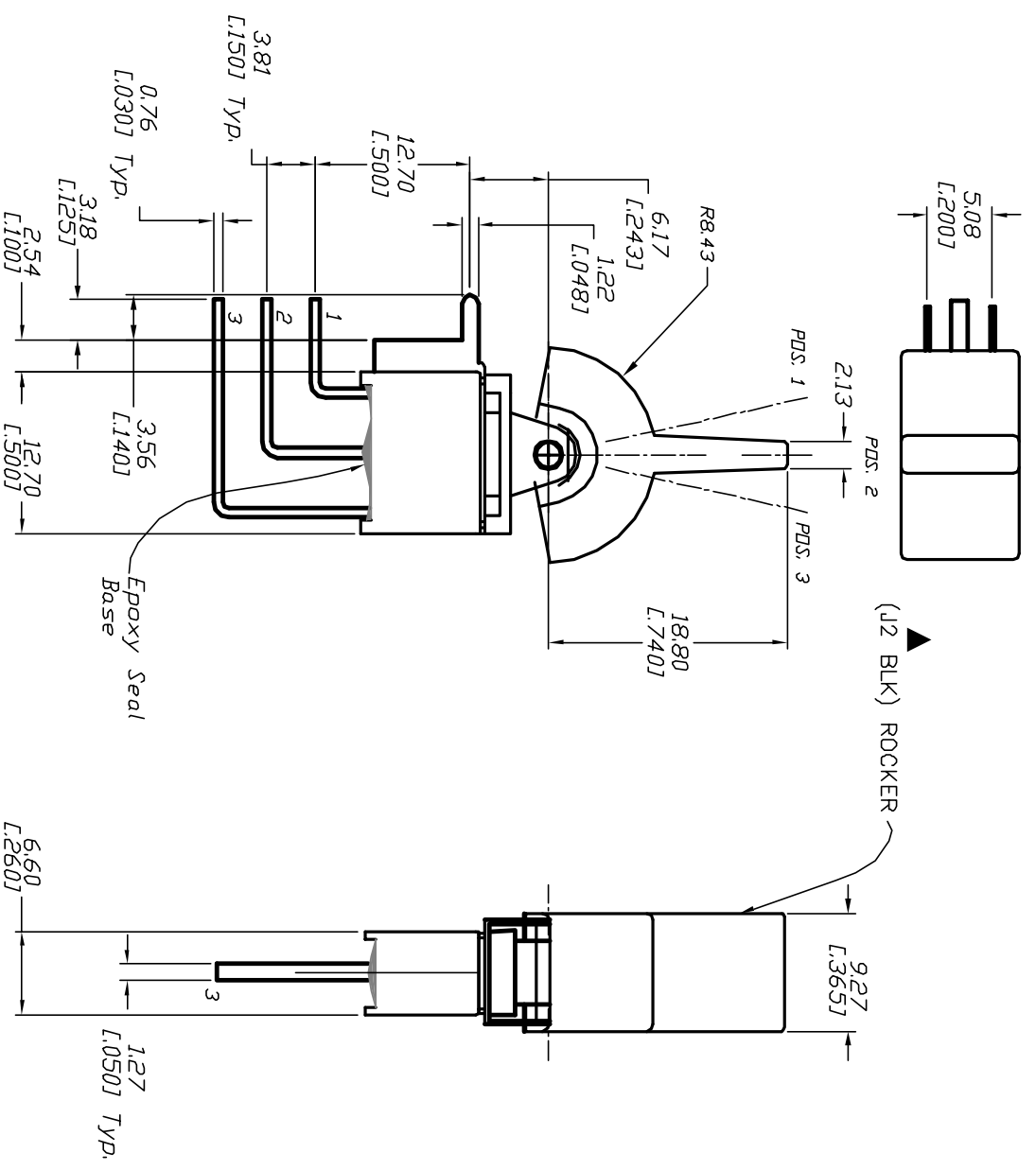


CIRCUIT: SPDT

| SWITCH FUNCTION | | | |
|-----------------|--------|--------|--|
| PDS. 1 | PDS. 2 | PDS. 3 | |
| | | | |
| (CND) | DEF | (CND) | |
| 2-3 | OPEN | 2-1 | |

NOTES:

1. ALL DIMENSIONS IN MM [INCH]
2. GENERAL TOLERANCE: X.XX=±0.4 X.XX=±0.25
3. TERM. NOS. FOR REF. ONLY
4. RATING: 0.4VA @20V AC/DC max.
5. MATERIAL: FIXED TERMINAL & MOVING CONTACT
Copper Alloy w/Gold plate over
Nickel plate.
6. CONTACT RESISTANCE: 10mILLI Ohms max initial @2-4VDC, 100mA for AG & AU
7. ELECTRICAL LIFE: 50,000 make-and-break cycles at full load.
8. INSULATION RESISTANCE: 1,000M ohm min.
9. DIELECTRIC STRENGTH: 1000V RMS @sea level
10. OPERATING TEMP.: -30°C to 85°C



E-SWITCH®

| | | | | |
|------|---------|-------------|---------|------|
| REV. | ECN No. | DESCRIPTION | DATE | CHKD |
| A | 12864 | RELEASED | 2/28/03 | CJB |

| | | | | | |
|---|-------|---------|-----|---------|-----|
| TITLE | SCALE | DATE | DR | DWG | REV |
| 3004 WSP-4 J2 BLK M7 RE (GOLD CONTACTS) | 2:1 | 2/28/03 | CJB | T301427 | A |

THE INFORMATION CONTAINED IN THIS DOCUMENT IS PROPRIETARY TO E-SWITCH AND IS NOT TO BE COPIED OR TRANSFERRED