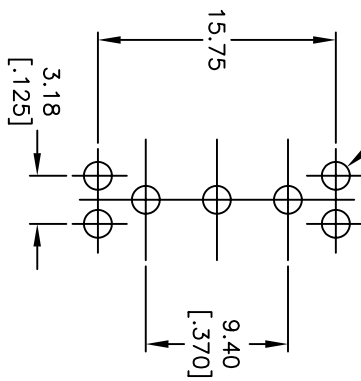
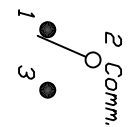


1.85 DIA. Typ.



RECOMMEND P.C.B. LAYOUT



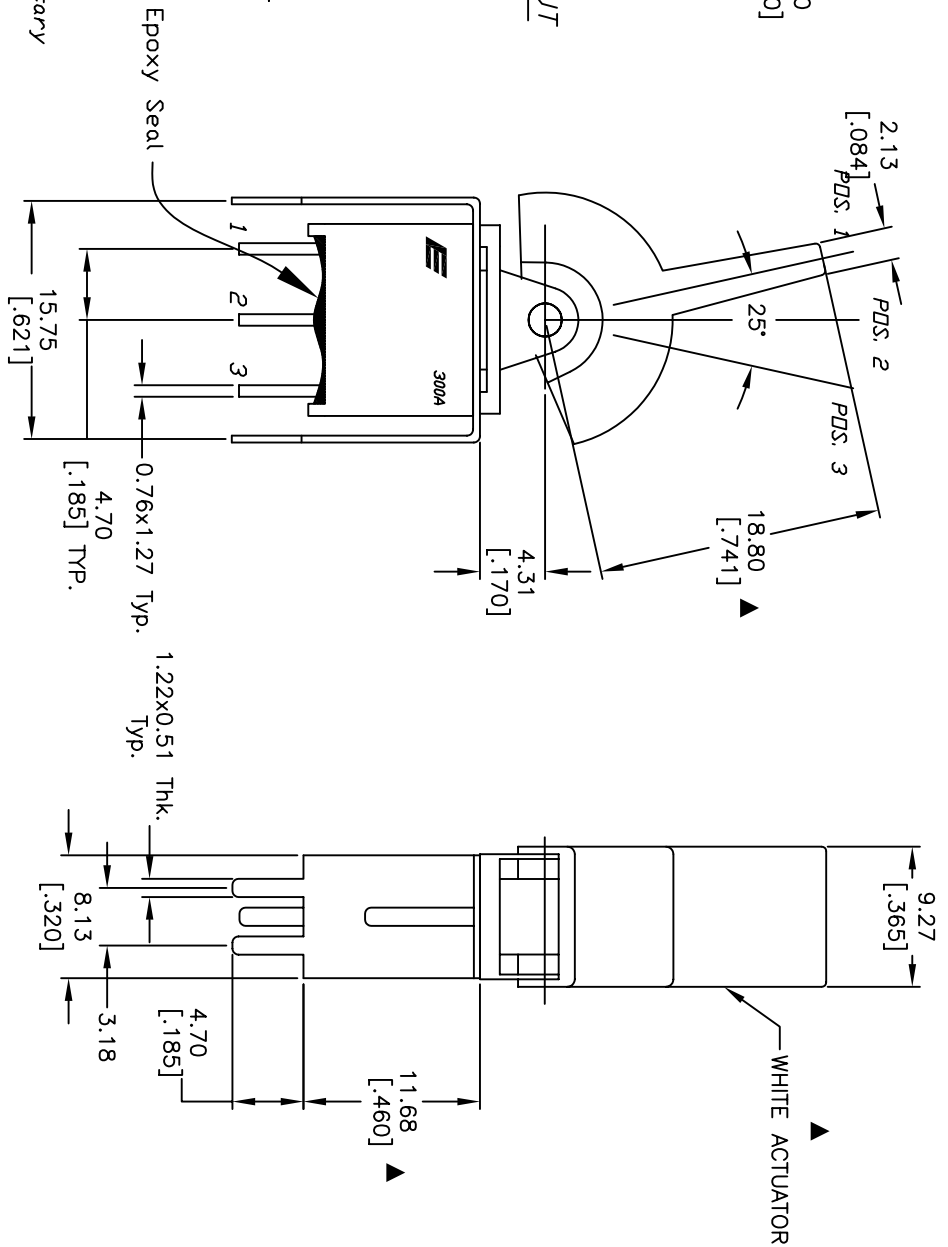
CIRCUIT: SPDT

CONTACT CONFIGURATION

▲ SWITCH FUNCTION		
PDS. 1	PDS. 2	PDS. 3
<DN>	OFF	<DN>
2-3	DPEN	2-1

NOTES:

1. ALL DIMENSIONS IN MM [INCH]
2. GENERAL TOLERANCE: X.X=±0.4
X.XX=±0.25
()=Momentary
3. TERMINAL NUMBERS FOR REF ONLY.
4. CONTACT MATERIAL: GOLD
5. RATING: 0.4VA @ 20V AC OR DC UL, CUL, VDE APPROVED
6. ELECTRIC LIFE: 40,000 MAKE-AND-BREAK CYCLES AT FULL LOAD.
7. INSULATION RESISTANCE: 1,000 MEGA-OHM MIN.
8. DIELECTRIC STRENGTH: 1,000 V RMS @SEA LEVEL.
9. OPERATING TEMPERATURE: -30° C TO 85° C
10. ▲ DENOTES CRITICAL PARAMETER.



REV.	ECN No.	DESCRIPTION	DATE	CHKD
B	15152	CHANGED DIM. & UPDATED NOTES	8/5/05	PV
A	13215	RELEASED FOR PRODUCTION	6/13/03	AR

THE INFORMATION CONTAINED IN THIS DOCUMENT IS PROPRIETARY TO E-SWITCH AND IS NOT TO BE COPIED OR TRANSFERRED



TITLE	SCALE	DATE	DR	DWG	REV
300AWSP4J2WHTVS2RE	2:1	6/13/03	AR	T301407	B