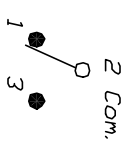


RECOMMENDED P.C.B. LAYOUT



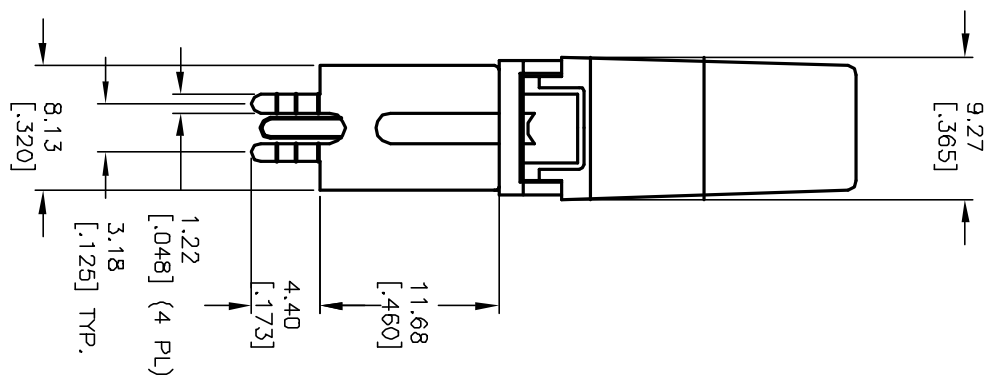
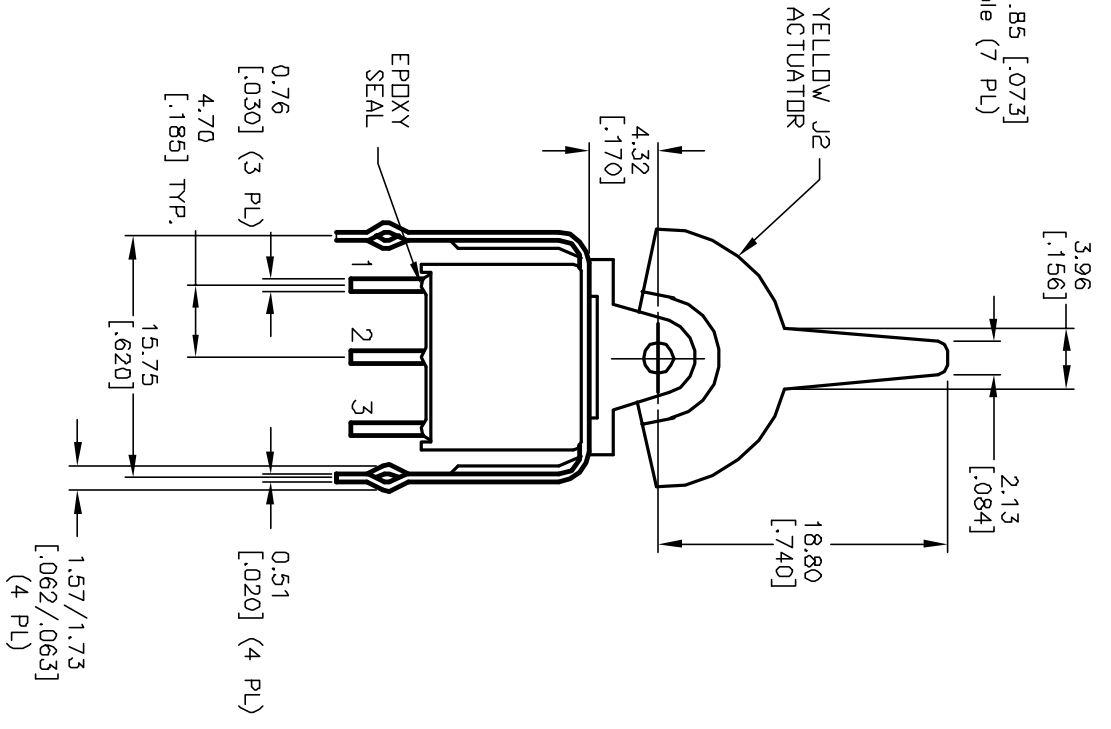
CIRCUIT: SPDT

SWITCH FUNCTION			
PDS. 1	PDS. 2	PDS. 3	
(DN)	OFF	(DN)	
2-3	OPEN	2-1	

() = Momentary

NOTES:

1. ALL DIMENSIONS IN MM [INCH]
2. GENERAL TOLERANCE: X.X=±0.4
X.XX=±0.25
3. TERM. NOS. FOR REFERENCE ONLY.
4. RATING: 0.4VA max. @20V max. (AC or DC)



E-SWITCH®

REV. A		ECN No. 11571		RELEASED FOR PRODUCTION		DATE 7/16/01		CHKD CJB		TITLE	
A		11571		RELEASED FOR PRODUCTION		7/16/01		CJB		300A WSP-4 J2 (YEL) VSS21 R E	
REV. A		ECN No. 11571		DESCRIPTION		DATE		CHKD		SCALE	
A		11571		RELEASED FOR PRODUCTION		7/16/01		CJB		2:1	
REV. A		ECN No. 11571		DESCRIPTION		DATE		CHKD		DATE	
A		11571		RELEASED FOR PRODUCTION		7/16/01		CJB		7/16/01	
REV. A		ECN No. 11571		DESCRIPTION		DATE		CHKD		DR	
A		11571		RELEASED FOR PRODUCTION		7/16/01		CJB		CJB	
REV. A		ECN No. 11571		DESCRIPTION		DATE		CHKD		DWG	
A		11571		RELEASED FOR PRODUCTION		7/16/01		CJB		T301497	
REV. A		ECN No. 11571		DESCRIPTION		DATE		CHKD		REV	
A		11571		RELEASED FOR PRODUCTION		7/16/01		CJB		A	

THE INFORMATION CONTAINED IN THIS DOCUMENT IS PROPRIETARY TO E-SWITCH AND IS NOT TO BE COPIED OR TRANSMITTED