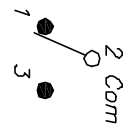


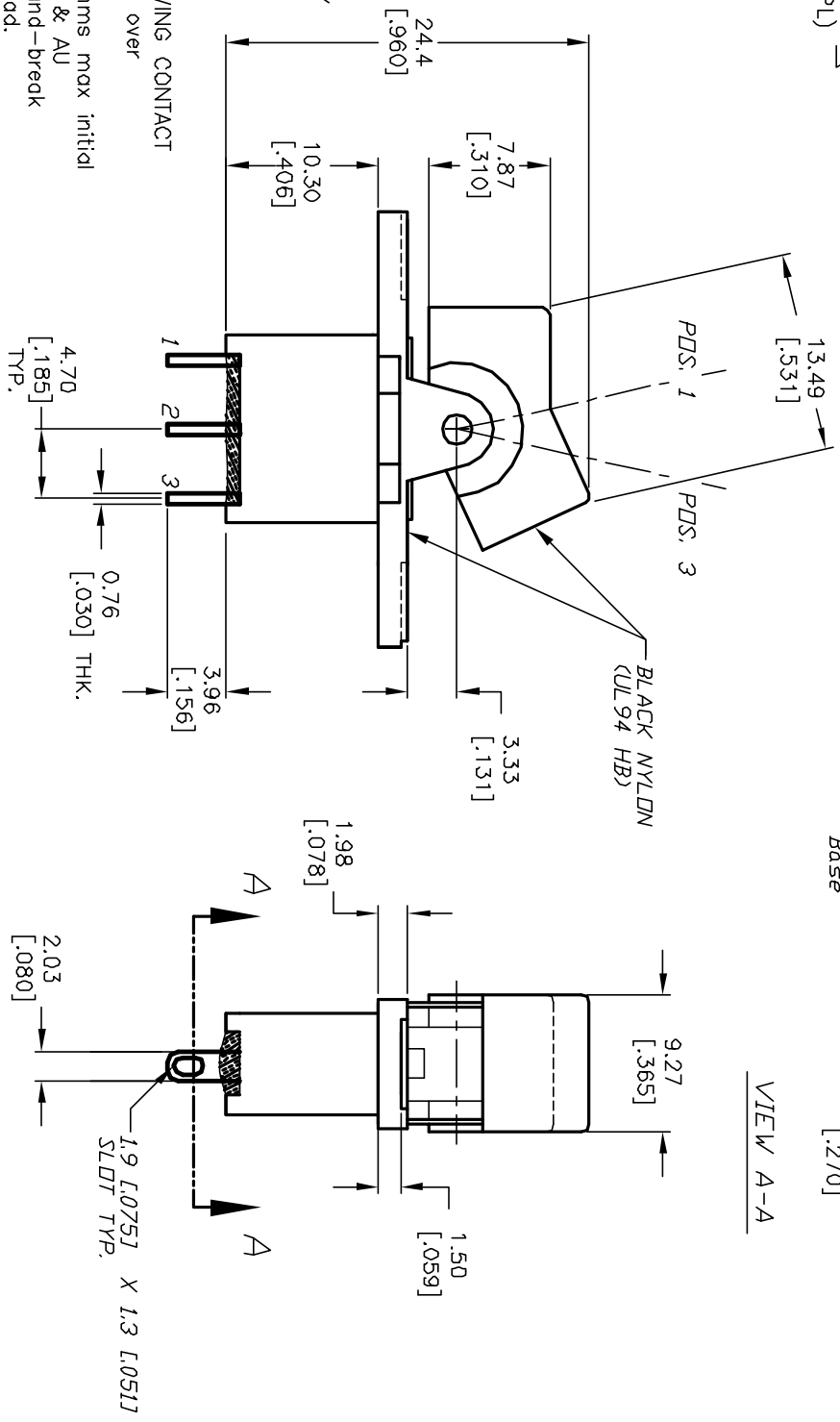
RECOMMENDED PANEL MOUNT HOLE (2 PL)



SWITCH FUNCTION		
PDS 1	PDS 2	PDS 3
(DN)	OFF	(DN)
2-3	OPEN	2-1

NOTES: () = Momentary

1. ALL DIMENSIONS IN MM [INCH]
2. GENERAL TOLERANCE: X.XX=±0.4 X.XX=±0.25
3. TERM. NOS. FOR REF. ONLY
4. RATING: 0.4VA @20V AC max
5. MATERIAL: FIXED TERMINAL & MOVING CONTACT
Copper Alloy w/Gold plate over
Nickel plate.
6. CONTACT RESISTANCE: 10mILLI Ohms max initial @2-4VDC, 100mA for AG & AU
7. ELECTRICAL LIFE: 30,000 make-and-break cycles at full load.
8. INSULATION RESISTANCE: 1,000M ohm min.
9. DIELECTRIC STRENGTH: 1000V RMS @sea level
10. OPERATING TEMP.: -30°C to 85°C



REV.	ECN No.	DESCRIPTION	DATE	CHKD	SCALE	DATE	DR	DWG	REV
A	12829	RELEASED FOR PRODUCTION	2/24/03	CB	2:1	2/24/03	CB	T301413	A
TITLE					300A WSP-4 R1 M1 R E (GOLD CONTACTS)				
THE INFORMATION CONTAINED IN THIS DOCUMENT IS PROPRIETARY TO E-SWITCH AND IS NOT TO BE COPIED OR TRANSFERRED					E-SWITCH®				