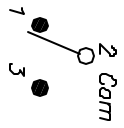


RECOMMENDED PANEL MOUNT



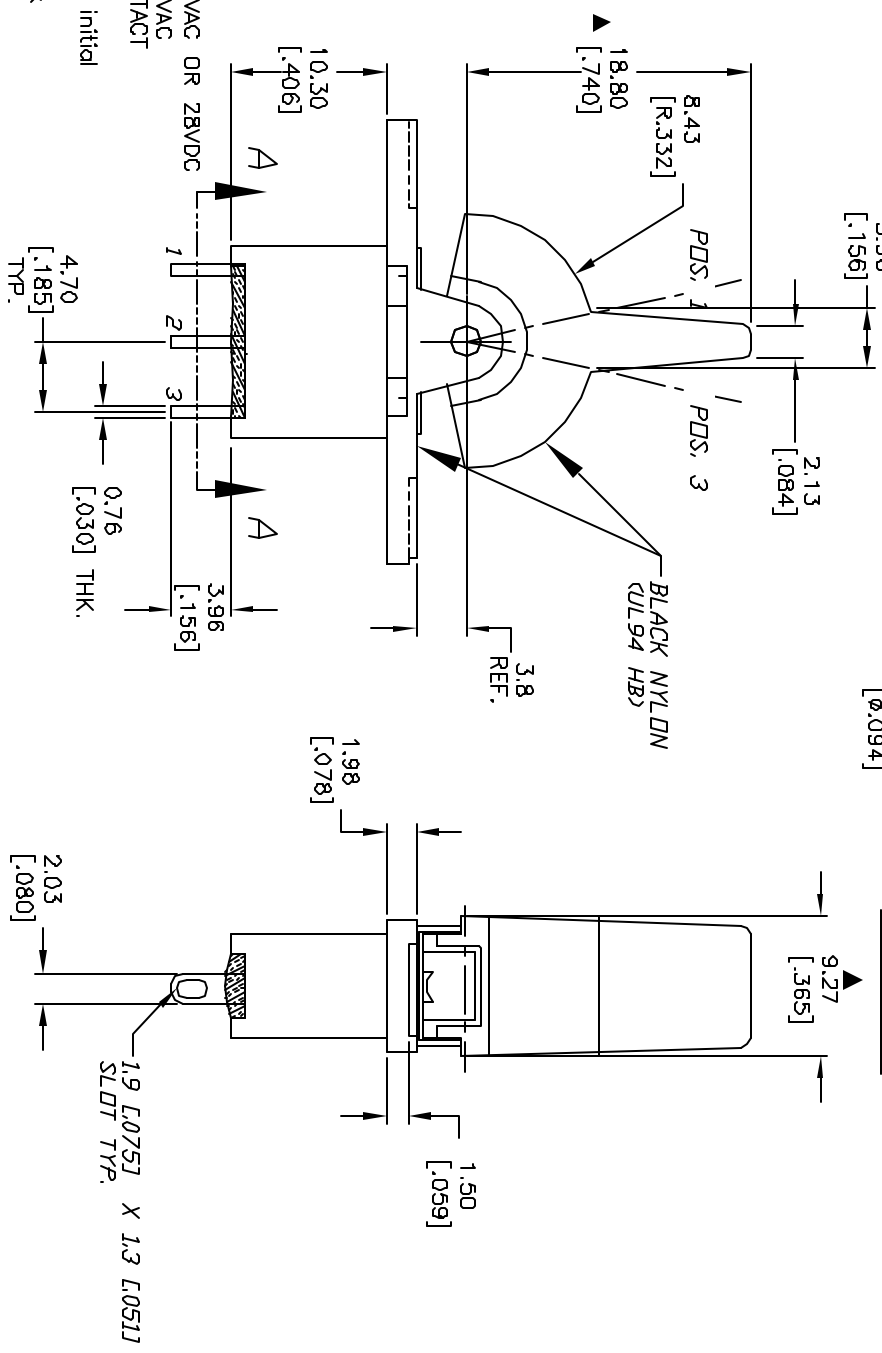
CIRCUIT: SPST

SWITCH FUNCTION		
POS. 1	POS. 2	POS. 3
<DN>	OFF	<DN>
2-3	OPEN	2-1

< > = Momentary

NOTES:

1. ALL DIMENSIONS IN MM [INCH]
2. GENERAL TOLERANCE: X.X=±0.4
X.XX=±0.25
3. TERM. NOS. FOR REF. ONLY
4. RATING: 5 AMPS W/RESISTANT LOAD @120VAC OR 2BVDC
2 AMPS W/RESISTANT LOAD @250VAC
5. MATERIAL: FIXED TERMINAL & MOVING CONTACT
SILVER PLATED COPPER ALLOY
6. CONTACT RESISTANCE: 10milli Ohms max initial
@2-4VDC, 100mA for AG & AU
7. ELECTRICAL LIFE: 30,000 make-and-break
cycles at full load.
8. INSULATION RESISTANCE: 1,000M ohm min.
9. DIELECTRIC STRENGTH: 1000V RMS @sea level
10. OPERATING TEMP.: -30°C to 85°C
11. ▲ DENOTES CRITICAL PARAMETER.



VIEW A-A

REV.	ECN No.	DESCRIPTION	DATE	CHKD	SCALE	DATE	DR	DWG	REV
A	13300	RELEASED FOR PRODUCTION	7/18/03	AR	2:1	7/18/03	AR	T301414	A
TITLE					300AWSP4R2M1QE				
THE INFORMATION CONTAINED IN THIS DOCUMENT IS PROPRIETARY TO E-SWITCH AND IS NOT TO BE COPIED OR TRANSFERRED									

E-SWITCH®