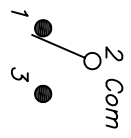


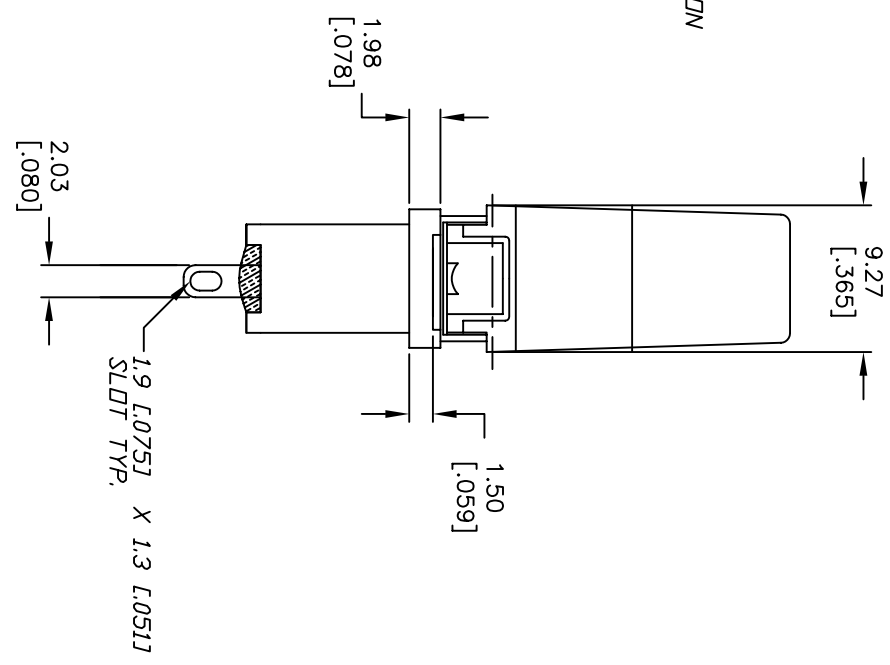
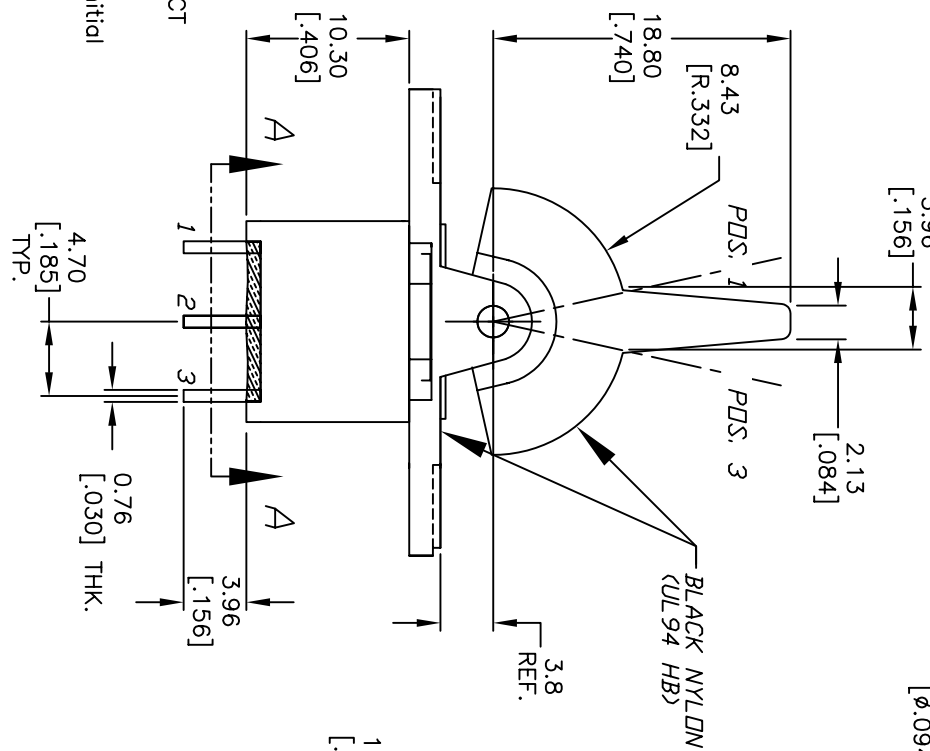
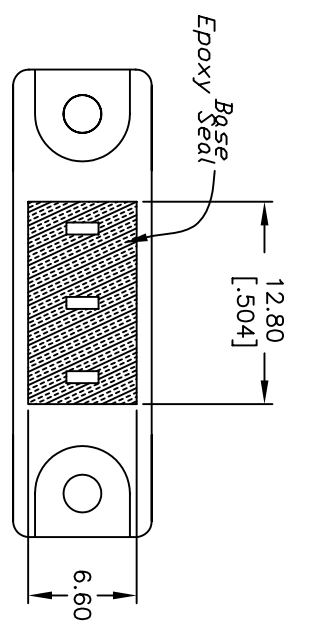
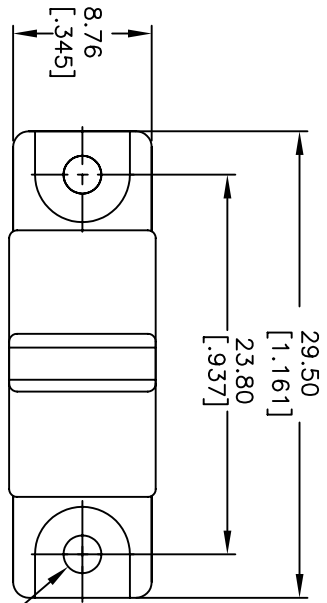
RECOMMENDED PANEL MOUNT



SWITCH FUNCTION		
PDS. 1	PDS. 2	PDS. 3
<DN>	DFFF	<DN>
2-3	OPEN	2-1

() = Momentary

- NOTES:
1. ALL DIMENSIONS IN MM [INCH]
 2. GENERAL TOLERANCE: X.X=±0.4 X.XX=±0.25
 3. TERM. NOS. FOR REF. ONLY
 4. RATING: 0.4VA @20V AC max
 5. MATERIAL: FIXED TERMINAL & MOVING CONTACT
Copper Alloy w/Gold plate over Nickel plate.
 6. CONTACT RESISTANCE: 10mILLI Ohms max initial @2-4VDC, 100ma for AG & AU
 7. ELECTRICAL LIFE: 30,000 make-and-break cycles at full load.
 8. INSULATION RESISTANCE: 1,000M ohm min.
 9. DIELECTRIC STRENGTH: 1000V RMS @sea level
 10. OPERATING TEMP.: -30°C to 85°C



REV.	ECN NO.	DESCRIPTION	DATE	CHKD
B	15159	CHANGED DIMENSION	8/9/05	PV
A	12830	RELEASED FOR PRODUCTION	2/25/03	CB

REV.	ECN NO.	DESCRIPTION	DATE	CHKD
B	15159	CHANGED DIMENSION	8/9/05	PV
A	12830	RELEASED FOR PRODUCTION	2/25/03	CB

E-SWITCH®

300A WSP4 R2 M1 R E

SCALE	DATE	DR	DWG	REV
2:1	2/25/03	CB	T301415	B

THE INFORMATION CONTAINED IN THIS DOCUMENT IS PROPRIETARY TO E-SWITCH AND IS NOT TO BE COPIED OR TRANSFERRED