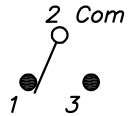


2.39±0.1 [.106]
HOLE (2 PL)

RECOMMENDED PANEL MOUNT



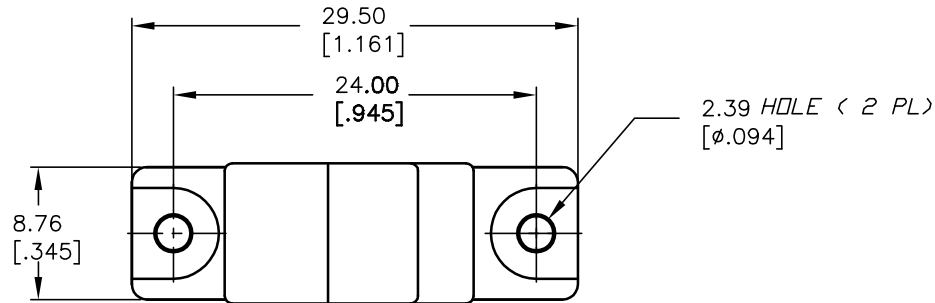
CIRCUIT: SPST

SWITCH FUNCTION		
PDS. 1	PDS. 2	PDS. 3
DN	OFF	<DN>
2-3	OPEN	2-1

<DN> = MOMENTARY

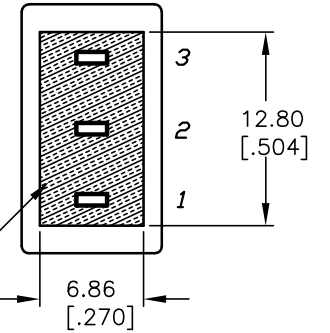
NOTES:

- ALL DIMENSIONS IN MM [INCH]
- GENERAL TOLERANCE: X.X=±0.4
X.XX=±0.25
- TERM. NOS. FOR REF. ONLY
- RATING: 5A @120VAC or 28VDC
2A @250VAC
- MATERIAL: FIXED TERMINAL & MOVING CONTACT
Copper Alloy w/Silver plate
- CONTACT RESISTANCE: 10mILLI Ohms max initial
@2-4VDC, 100mA for AG & AU
- ELECTRICAL LIFE: 30,000 make-and-break
cycles at full load.
- INSULATION RESISTANCE: 1,000M ohm min.
- DIELECTRIC STRENGTH: 1000V RMS @sea level
- OPERATING TEMP.: -30°C to 85°C

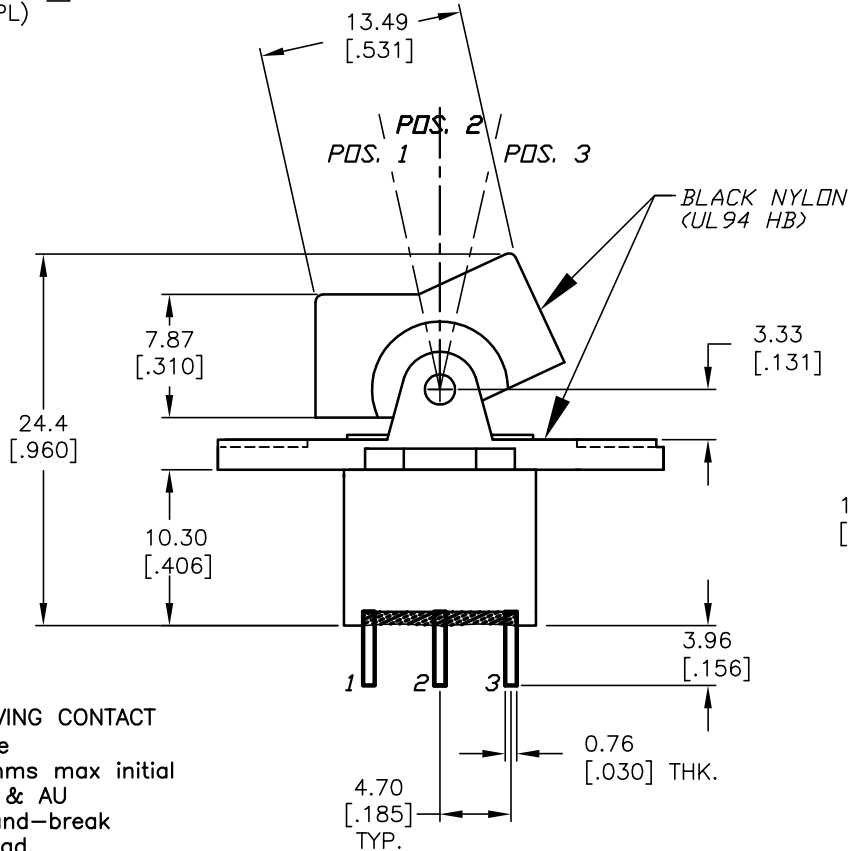


2.39 HOLE (2 PL)
[ø.094]

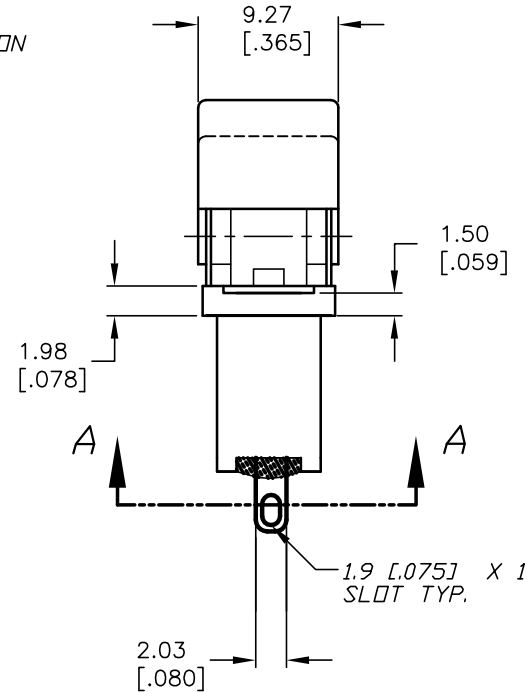
Epoxy Seal
Base



VIEW A-A



BLACK NYLON
(UL94 HB)



E-SWITCH®

TITLE	300AWSP5R1BLKM1QE								
SCALE	2:1	DATE	11/12/03	DR	AR	DWG	T301512	REV	A

A	13596	RELEASED FOR PRODUCTION	11/12/03	AR
REV.	ECN No.	DESCRIPTION	DATE	CHKD

THE INFORMATION CONTAINED IN THIS DOCUMENT
IS PROPRIETARY TO E-SWITCH AND IS
NOT TO BE COPIED OR TRANSFERRED