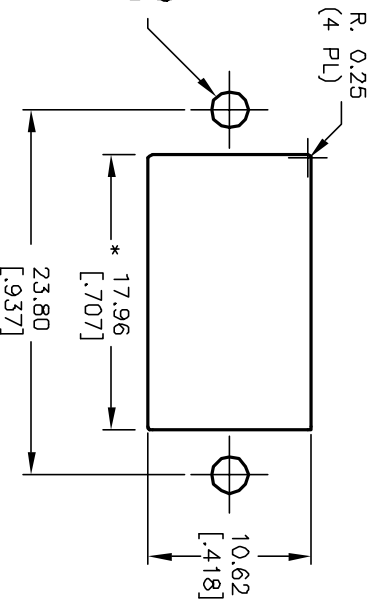
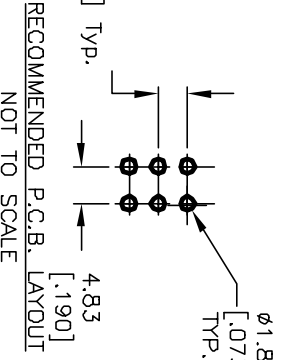
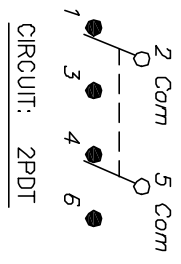


SWITCH FUNCTION			
POS. 1	POS. 2	POS. 3	
DN	NONE	DN	
2-3, 5-6	OPEN	2-1, 5-4	



NOTES:

1. ALL DIMENSIONS IN MM [INCH]
2. GENERAL TOLERANCE: X.XX=±0.4 X.XX=±0.25
3. TERM. NOS. FOR REF. ONLY
4. RATING: 5A @120VAC or 28VDC; 2A @250V.
5. MATERIAL: FIXED TERMINAL & MOVING CONTACT  
Copper Alloy w/Silver plate
6. CONTACT RESISTANCE: 10mILLI Ohms max initial @2-4VDC, 100mA for AG & AU
7. ELECTRICAL LIFE: 50,000 make-and-break cycles at full load.
8. INSULATION RESISTANCE: 1,000M ohm min.
9. DIELECTRIC STRENGTH: 1000V RMS @sea level
10. OPERATING TEMP.: -30°C to 85°C

REV.	ECN No.	DESCRIPTION	DATE	CHKD	SCALE	TITLE	DATE	DR	DWG	REV
A	12315	RELEASED	7/17/02	CJB	2:1	300 DP-1 (R1 BLK) M7 OE SPECIAL PANEL MOUNT/ANGLED TERMINATION	7/17/02	CJB	T321061	A
THE INFORMATION CONTAINED IN THIS DOCUMENT IS PROPRIETARY TO E-SWITCH AND IS NOT TO BE COPIED OR TRANSFERRED										

**E-SWITCH®**