

WHITE BEZEL

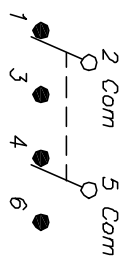
WHITE  
ROCKER

RECOMMENDED PANEL MOUNTING

PANEL THICKNESS

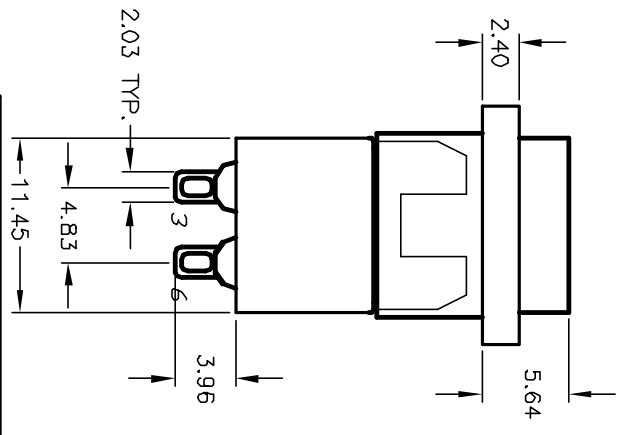
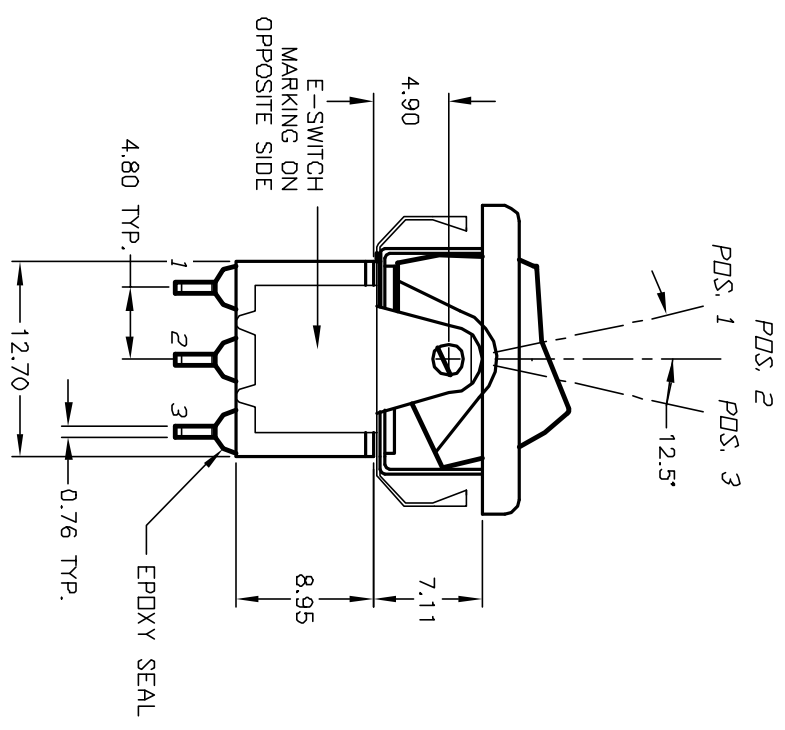
1.52 TO 3.18

\* DIMENSION IS 15.75/15.88  
FOR PANEL THICKNESS BETWEEN  
1.52mm TO 3.18mm



CIRCUIT: DPDT

SWITCH FUNCTION			
PDS: 1	PDS: 2	PDS: 3	
DN	NONE	DN	
2-3,5-6	OPEN	2-1,5-4	



NOTES:

1. ALL DIMENSIONS IN MM [INCH]
2. GENERAL TOLERANCE: X.X=±0.4  
X.XX=±0.25
3. TERM. NOS. FOR REF. ONLY
4. RATING: 5A @120VAC OR 28VDC  
2A @250VAC
5. MATERIAL: FIXED TERMINAL & MOVING CONTACT  
Copper Alloy w/Silver Plate
6. CONTACT RESISTANCE: 10mILLI Ohms max initial  
@2-4VDC, 100mA for AG & AU
7. ELECTRICAL LIFE: 50,000 make-and-break  
cycles at full load.
8. INSULATION RESISTANCE: 1,000M ohm min.
9. DIELECTRIC STRENGTH: 1000V RMS @sea level
10. OPERATING TEMP.: -30°C to 85°C

**E-SWITCH®**

REVISED AND REDRAWN		DATE	CHKD	TITLE	SCALE	DATE	DR	DWG	REV
D	12006	3/20/02	CB	300 DP-1 R6 WHT M1 Q E WHT	2:1	3/20/02	CB	T321036	D
REV.	ECN No.	DESCRIPTION							
		THE INFORMATION CONTAINED IN THIS DOCUMENT IS PROPRIETARY TO E-SWITCH AND IS NOT TO BE COPIED OR TRANSMITTED							