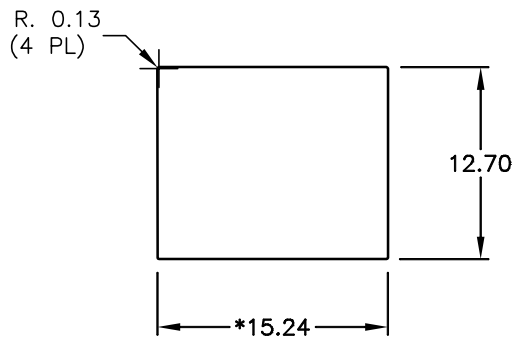
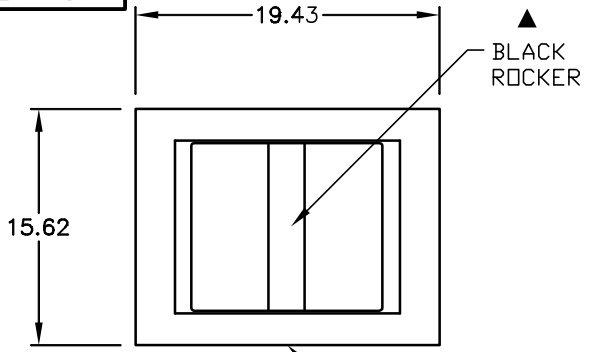


SHEET OF

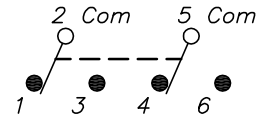


PANEL THICKNESS

1.52 TO 3.18

▲ * DIMENSION IS 15.75/15.88 FOR PANEL THICKNESS BETWEEN 1.52mm TO 3.18mm

RECOMMENDED PANEL MOUNTING

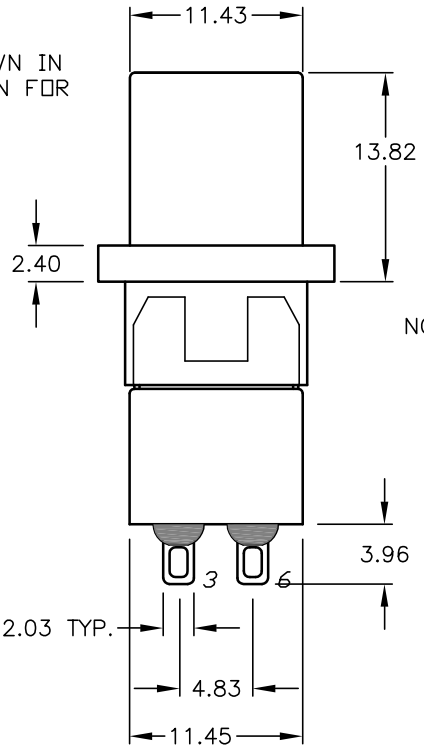
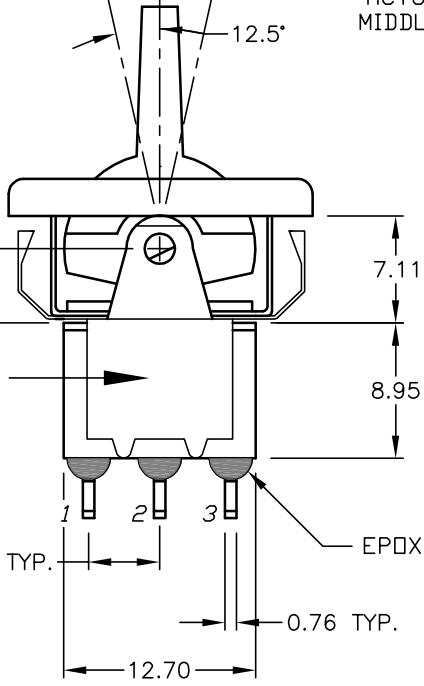


CIRCUIT: DPDT

2.36 BLACK FRAME

PDS. 2
PDS. 1 PDS. 3

ACTUATOR SHOWN IN MIDDLE POSITION FOR REF. ONLY



SWITCH FUNCTION		
PDS. 1	PDS. 2	PDS. 3
ON	NONE	ON
2-3,5-6	OPEN	2-1,5-4

NOTES:

1. ALL DIMENSIONS IN MM
2. GENERAL TOLERANCE: X.X=±0.4
X.XX=±0.25
3. TERM. NOS. FOR REF. ONLY
4. RATING: 0.4 VOLT AMPS MAX @20V MAX AC OR DC
5. MATERIAL: FIXED TERMINAL & MOVING CONTACT COPPER ALLOY W/GOLD PLATE OVER NICKLE PLATE
6. CONTACT RESISTANCE: 10MILLI OHMS MAX INITIAL @2-4VDC, 100mA for AG & AU
7. ELECTRICAL LIFE: 50,000 MAKE-AND-BREAK CYCLES AT FULL LOAD.
8. INSULATION RESISTANCE: 1,000M OHM MIN.
9. DIELECTRIC STRENGTH: 1000V RMS @SEA LEVEL
10. OPERATING TEMP.: -30°C to 85°C
11. ▲ DENOTES CRITICAL PARAMETER.

E-SWITCH®

TITLE 300DP1R7BLKM1REBLK

A	13400	RELEASED FOR PRODUCTION	8/26/03	AR
REV.	ECN No.	DESCRIPTION	DATE	CHKD

SCALE	DATE	DR	DWG	REV
2:1	8/26/03	AR	T321080	A

THE INFORMATION CONTAINED IN THIS DOCUMENT IS PROPRIETARY TO E-SWITCH AND IS NOT TO BE COPIED OR TRANSFERRED