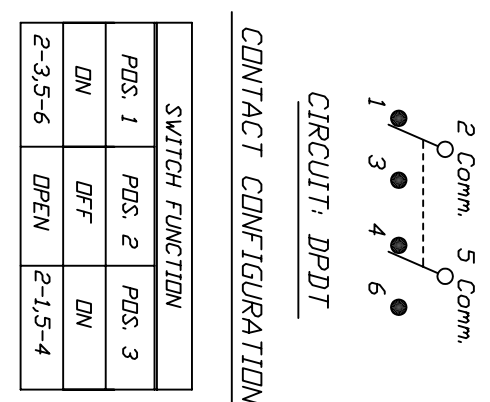
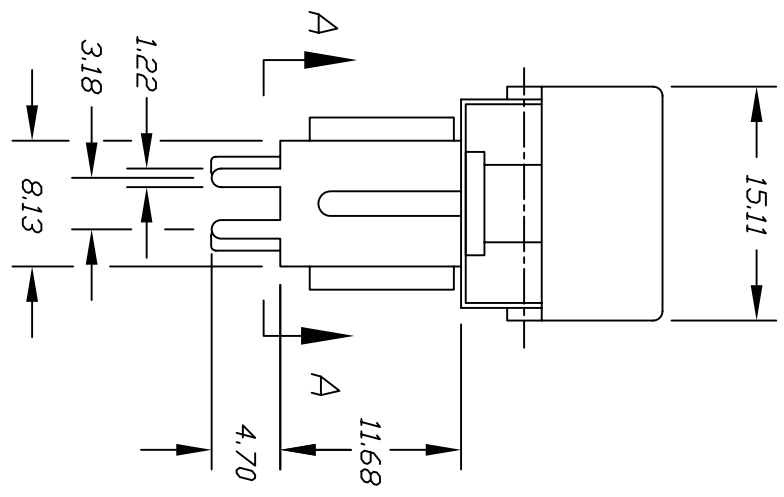
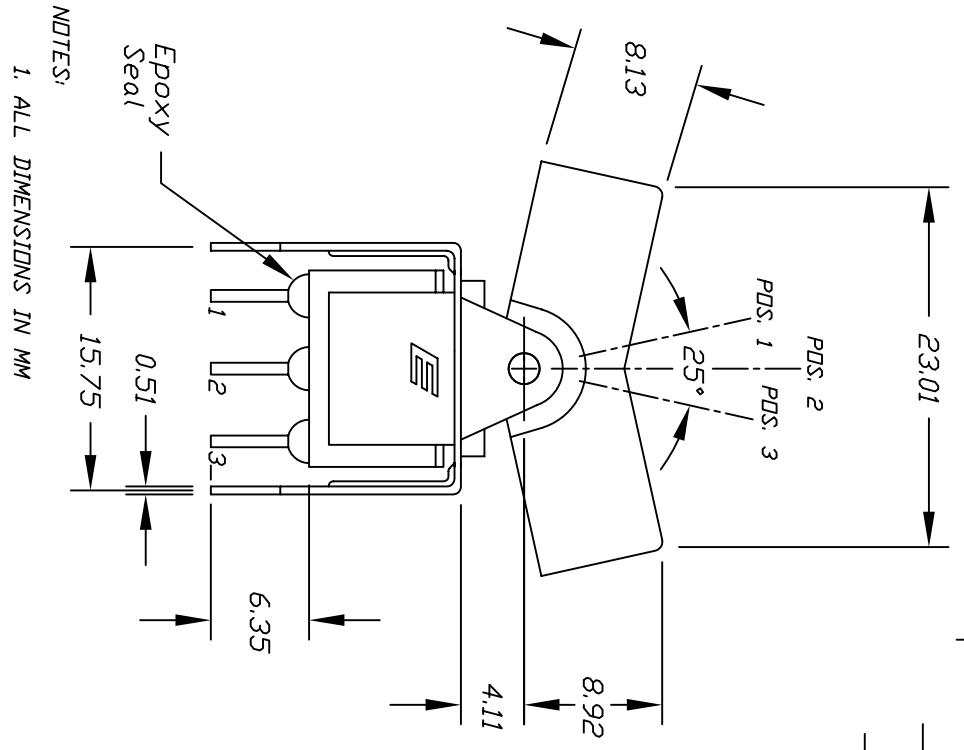
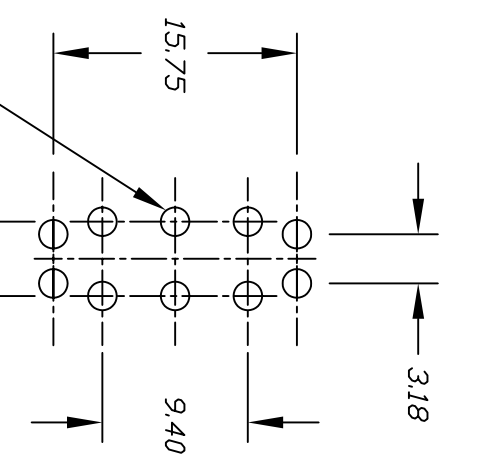


NOTE:
CONTACTS & BRACKET
CROPPED FOR CLARITY



RECOMMEND P.C.B. HOLES

- NOTES:
1. ALL DIMENSIONS IN MM
 2. TERM. NOS. FOR REF ONLY
 3. RATING: 3 Amps @120VAC or 28VDC.
1 Amp @250VAC

REV.	DESCRIPTION	DATE	CHKD
A	RELEASED FOR PRODUCTION		

TOLERANCES		TITLE	SCALE	DATE	DR	DWG	REV
0.0	±0.4	300 DP-3 J3 VS2 Q E	2:1	12/26/96	MM	T323000	A
0.00	±0.25						

THE INFORMATION CONTAINED IN THIS DOCUMENT IS PROPRIETARY TO E-SWITCH AND IS NOT TO BE COPIED OR TRANSFERRED

E-SWITCH®