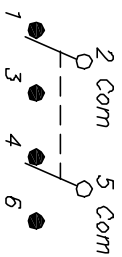
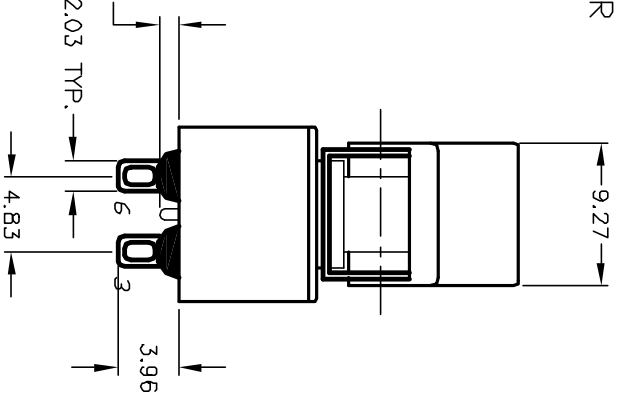
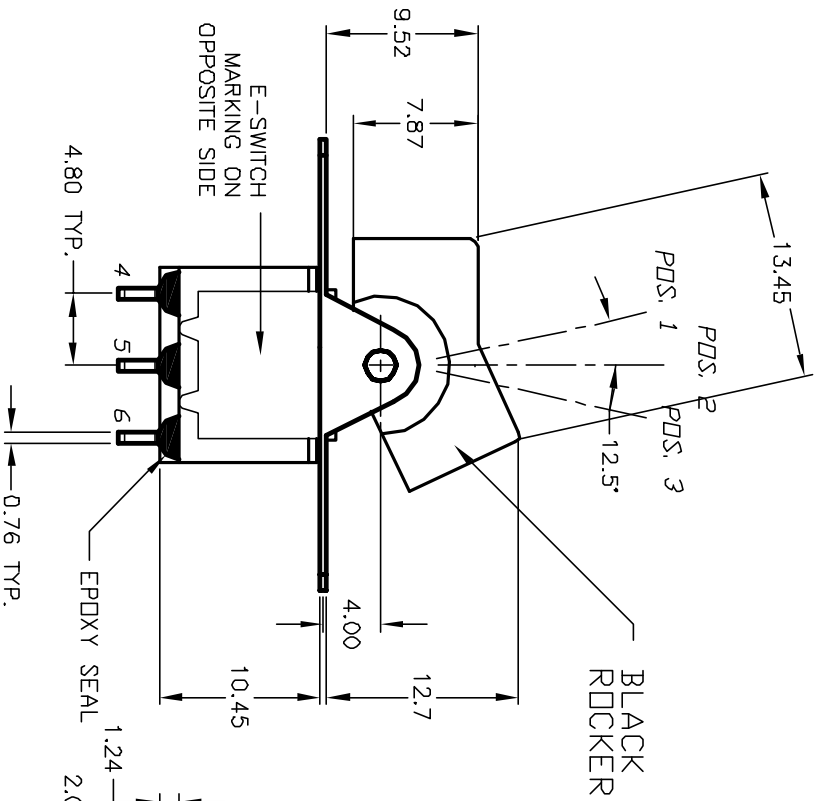


*BOTTOM VIEW  
BRACKET CROPPED  
FOR CLARITY*

*RECOMMENDED PANEL MOUNTING*

**PANEL THICKNESS**

▲ DIMENSION IS 15.75/15.88  
FOR PANEL THICKNESS BETWEEN  
1.52mm TO 3.18mm



SWITCH FUNCTION		
POS. 1	POS. 2	POS. 3
DN	OFF	DN
2-3,5-6	OPEN	2-1,5-4

**NOTES:**

1. ALL DIMENSIONS IN MM [INCH]
2. GENERAL TOLERANCE: X.X=±0.4  
X.XX=±0.25
3. TERM. NOS. FOR REF. ONLY
4. RATING: 0.4VA max. @20V AC or DC. max.
5. MATERIAL: FIXED TERMINAL & MOVING CONTACT:  
Copper Alloy w/GOLD Plate  
over Nickel plate
6. CONTACT RESISTANCE: 10mILLI Ohms max initial  
@2-4VDC, 100mA for AG & AU
7. ELECTRICAL LIFE: 50,000 make-and-break  
cycles at full load.
8. INSULATION RESISTANCE: 1,000M ohm min.
9. DIELECTRIC STRENGTH: 1000V RMS @sea level
10. OPERATING TEMP.: -30°C to 85°C

**E-SWITCH®**

REV.	ECN No.	DESCRIPTION	DATE	CHKD
B	12032	REVISED AND REDRAWN	4/3/02	CB

TITLE	SCALE	DATE	DR	DWG	REV
300 DP-3 R1 BLK M1 R E (GOLD CONTACTS)	2:1	4/3/02	CB	T324000	B

THE INFORMATION CONTAINED IN THIS DOCUMENT IS PROPRIETARY TO E-SWITCH AND IS NOT TO BE COPIED OR TRANSMITTED