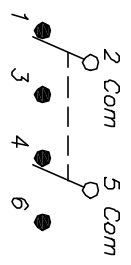


RECOMMENDED PANEL MOUNTING

* DIMENSION IS 15.75/15.88 FOR PANEL THICKNESS BETWEEN 1.52mm TO 3.18mm

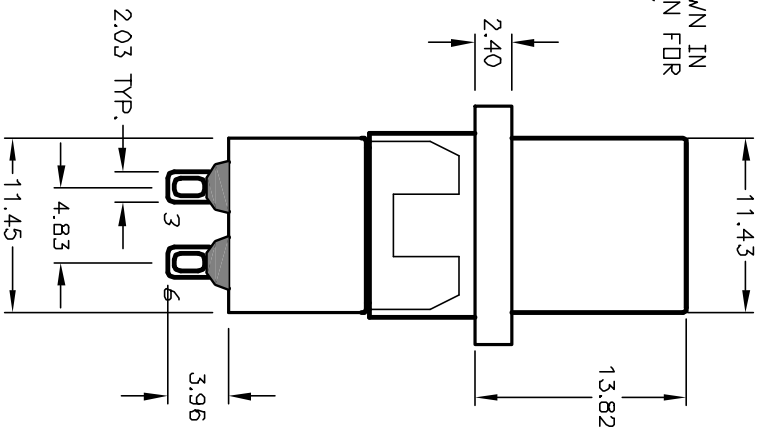
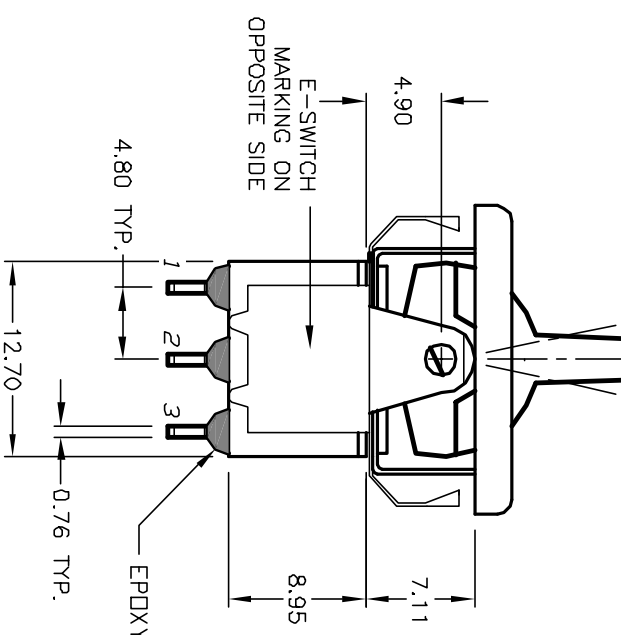
PANEL THICKNESS

1.52 TO 3.18



CIRCUIT: DPDT

ACTUATOR SHOWN IN MIDDLE POSITION FOR REF. ONLY



NOTES:

1. ALL DIMENSIONS IN MM
2. GENERAL TOLERANCE: X.X=±0.4 X.XX=±0.25
3. TERM. NOS. FOR REF. ONLY
4. RATING: 0.4VA @20 (AC or DC) max.
5. MATERIAL: FIXED TERMINAL & MOVING CONTACT
Copper Alloy w/Gold plate over Nickel plate.
6. CONTACT RESISTANCE: 10mILLI Ohms max initial @2-4VDC, 100mA for AG & AU
7. ELECTRICAL LIFE: 50,000 make-and-break cycles at full load.
8. INSULATION RESISTANCE: 1,000M Ohm min.
9. DIELECTRIC STRENGTH: 1000V RMS @sea level
10. OPERATING TEMP.: -30°C to 85°C

()=DIMMENTARY

SWITCH FUNCTION		
POS. 1	POS. 2	POS. 3
<DN>	DIFF	<DN>
2-3,5-6	DPEN	2-1,5-4

E-SWITCH®

REV.	ECN No.	DESCRIPTION	DATE	CHKD	SCALE	DATE	DR	DWG	REV
A	12837	RELEASED FOR PRODUCTION	2/25/03	CB	2:1	2/25/03	CB	T3224072	A
TITLE 300 DP-4 R7 WHT M1 R E BLK (GOLD CONTACTS)									
THE INFORMATION CONTAINED IN THIS DOCUMENT IS PROPRIETARY TO E-SWITCH AND IS NOT TO BE COPIED OR TRANSFERRED									