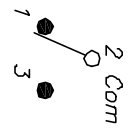


RECOMMENDED P.C.B. LAYOUT  
NOT TO SCALE

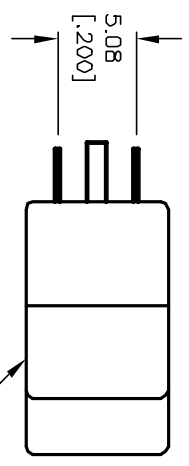


CIRCUIT: SPDT

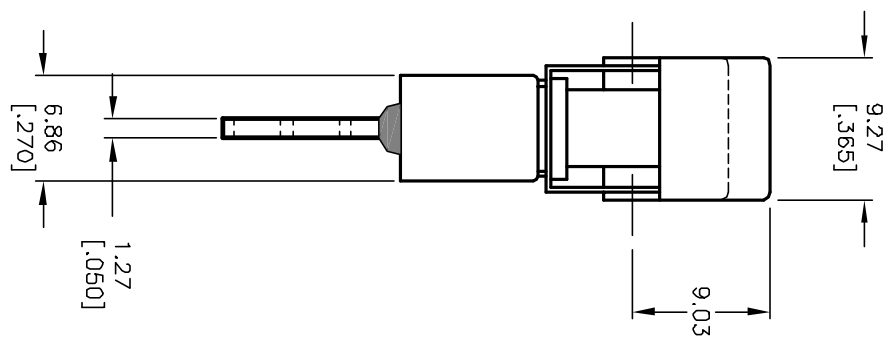
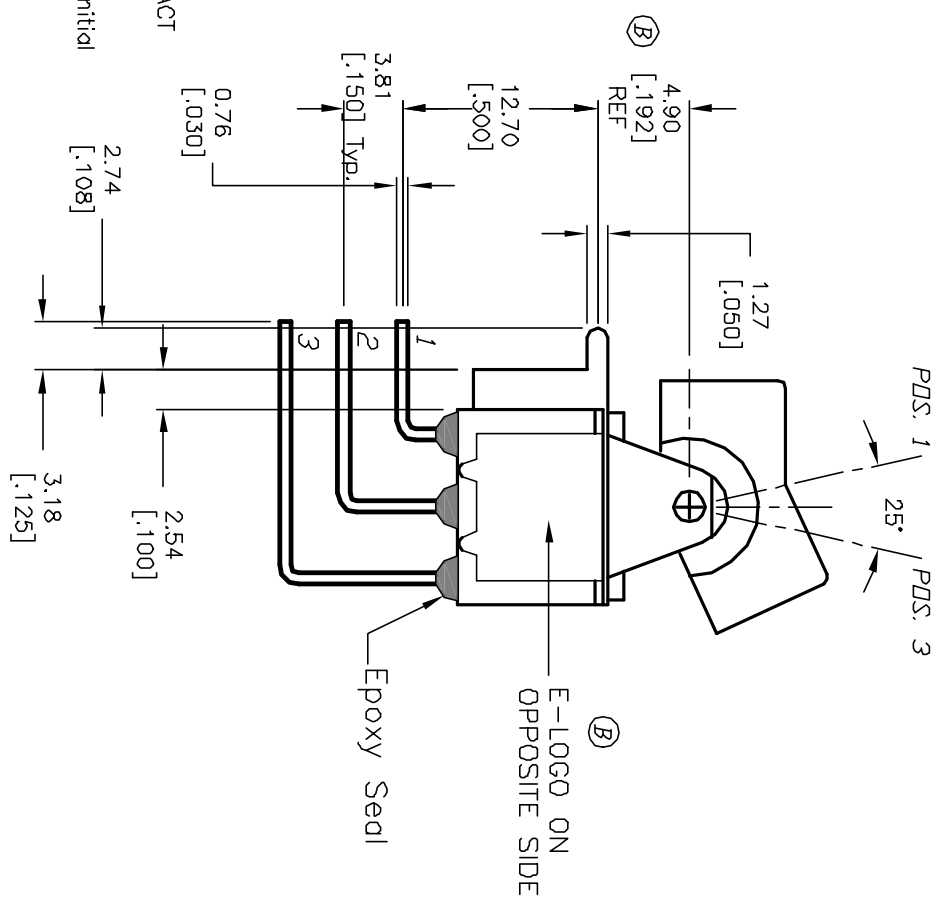
SWITCH FUNCTION			
PDS. 1	PDS. 2	PDS. 3	
DN	NONE	DN	
2-3	OPEN	2-1	

NOTES:

1. ALL DIMENSIONS IN MM [INCH]
2. GENERAL TOLERANCE: X.X=±0.4  
X.XX=±0.25
3. TERM. NOS. FDR REF. ONLY
4. RATING: 0.4(VA) max. @20V (AC or DC)
5. MATERIAL: FIXED TERMINAL & MOVING CONTACT  
Copper Alloy w/GOLD plate over  
Nickel plate
6. CONTACT RESISTANCE: 10mILLI Ohms max initial  
@2-4VDC, 100mA for AG & AU
7. ELECTRICAL LIFE: 50,000 make-and-break  
cycles at full load.
8. INSULATION RESISTANCE: 1,000M ohm min.
9. DIELECTRIC STRENGTH: 1000V RMS @sea level
10. OPERATING TEMP.: -30°C to 85°C



(J1 GRN) ROCKER



**E-SWITCH®**

TITLE: 300 SP-1 (J1 GRN) M7 RE (GOLD CONTACTS)

REV.	ECN No.	DESCRIPTION	DATE	CHKD
B	12210	ADD NOTES S&S, ROCKER COLOR	6/5/02	CJB

SCALE	DATE	DR	DWG	REV
2:1	6/5/02	CJB	T311039	B

THE INFORMATION CONTAINED IN THIS DOCUMENT IS PROPRIETARY TO E-SWITCH AND IS NOT TO BE COPIED OR TRANSFERRED