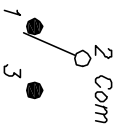


RECOMMENDED P.C.B. LAYOUT

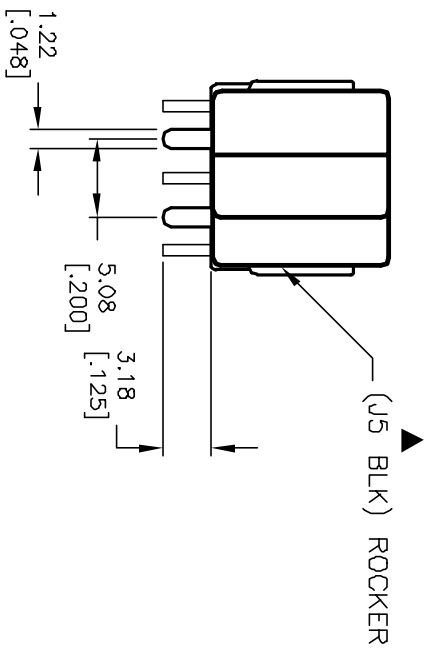


CIRCUIT: SPST

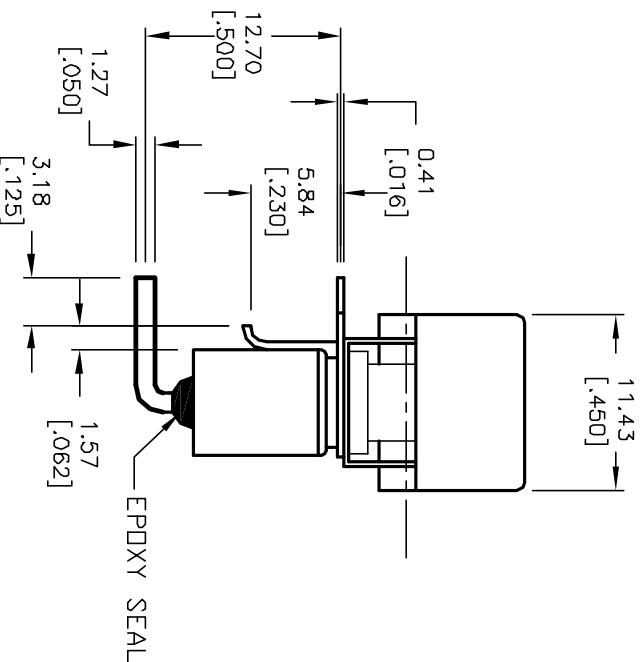
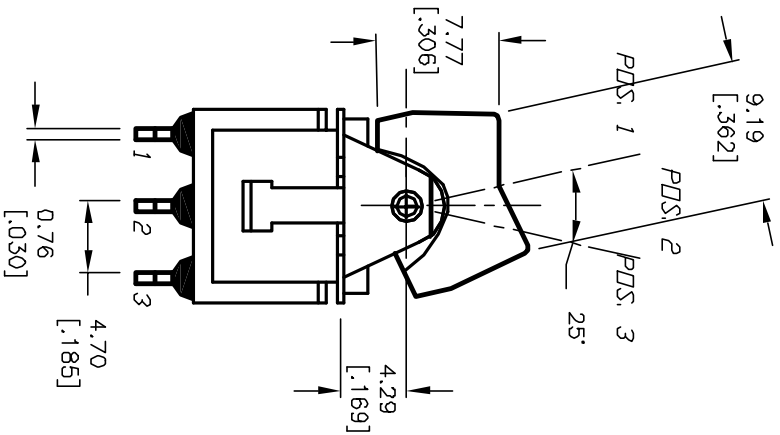
SWITCH FUNCTION		
POS. 1	POS. 2	POS. 3
DN	NONE	DN
2-3	OPEN	2-1

NOTES:

1. ALL DIMENSIONS IN MM [INCH]
2. GENERAL TOLERANCE: X.X=±0.4  
X.XX=±0.25
3. TERM. NOS. FOR REF. ONLY
4. RATING: 0.4VA @20V AC max.
5. MATERIAL: FIXED TERMINAL & MOVING CONTACT  
Copper Alloy w/Gold plate over  
Nickel plate
6. CONTACT RESISTANCE: 10mILLI Ohms max initial  
@2-4VDC, 100mA for AG & AU
7. ELECTRICAL LIFE: 50,000 make-and-break  
cycles at full load.
8. INSULATION RESISTANCE: 1,000M ohm min.
9. DIELECTRIC STRENGTH: 1000V RMS @sea level
10. OPERATING TEMP.: -30°C to 85°C
11. ▲ DESIGNATE CRITICAL PARAMETER



▲ (J5 BLK) ROCKER



**E-SWITCH®**

REV.	ECN No.	DESCRIPTION	DATE	CHKD
A	12844	RELEASED	2/26/03	CJB

TITLE	SCALE	DATE	DR	DWG	REV
300 SP-1 (J5 BLK) M6 RE (GOLD CONTACTS)	2:1	2/26/03	CJB	T311067	A

THE INFORMATION CONTAINED IN THIS DOCUMENT IS PROPRIETARY TO E-SWITCH AND IS NOT TO BE COPIED OR TRANSMITTED